

SUZUKI GSR750/GSX-S750 STREET SPORTS SLIP-ON R-11 SINGLE EXIT

Product information



Be sure to read the instruction carefully before starting the work. It is necessary to follow the contents to install Yoshimura slip-on.

1. Product Information :

Description	Suzuki GSR750/GSX-S750 Street Sports	Part Number	Stainless Sleeve (SS) ; 170-158-5E50
	Slip-on R-11 Single Exit		Metal Magic Sleeve (SM) ; 170-158-5E20
Cyclone Type	SSP158S11C1		Titanium Sleeve (ST) ; 170-158-5E80
Main Material	Stainless steel		Titanium Blue Sleeve (STB) ; 170-158-5E80B
Weight [STD 4.5kg]	(SS) & (SM) ; 2.5kg, (ST) & (STB) ; 2.3kg		

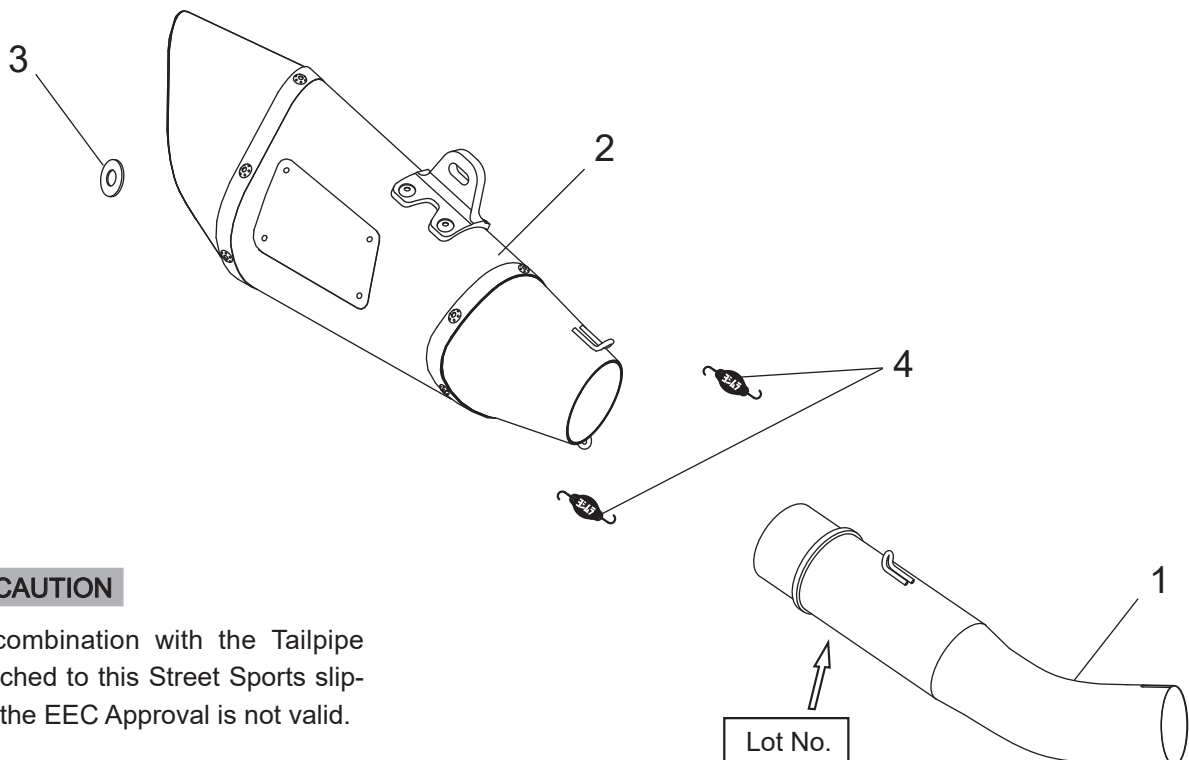
2. Applicable Model :

Model	SUZUKI GSR750/GSX-S750
-------	------------------------

3. Contents :

No.	Descriptions	Part No.	Q'ty	No.	Descriptions	Part No.	Q'ty
1	Tailpipe	185-158-5E00	1	3	Washer M8x26	812-108-2600	1
2	Silencer Assy, (SS)	1A6-158-5E50	1	4	Exhaust Spring	118-001-0000	2
	Silencer Assy, (SM)	1A6-158-5E20					
	Silencer Assy, (ST)	1A6-158-5E80					
	Silencer Assy, (STB)	1A6-158-5E80B					

Parts Diagram



⚠ CAUTION

In combination with the Tailpipe attached to this Street Sports slip-on, the EEC Approval is not valid.