

CROSSPRO

DUAL SPORTS #2022



**FOR
THE
REAL
ADVENTURERS**



THE CHOICE OF A ETERNAL CHAMPION



THANK YOU PAULO, FOR BEING
PART OF OUR FAMILY

Em 2005 nasce a CrossPro, uma empresa que se dedica a produção de protecções e acessórios para veículos de 2 e 4 rodas. A paixão e conhecimento dos seus fundadores sobre a modalidade e mecânica, permitiram um rápido e sustentável crescimento da CrossPro.

Rapidamente, a CrossPro alcançou na Europa uma respeitável reputação pela produção e desenvolvimento dos seus produtos, as soluções oferecidas permitiram alcançar novos mercados e actualmente assegurar a presença a nível mundial em mercados muito distintos, mas ao mesmo tempo tão exigentes como o Europeu.

Os nossos produtos são fabricados na nossa unidade fabril em Portugal, sendo submetidos a um rigoroso controlo de qualidade para assegurar a qualidade dos produtos oferecidos. A aposta na melhoria contínua dos nossos produtos e processos, conferem aos produtos que oferecemos uma diferenciação no mercado.

Todos os produtos da CrossPro são submetidos a testes em condições extremas, o que nos permite obter o produto final adequado ao consumidor final, sendo ele profissional ou amador, garantindo um máxima performance.

Apostamos no aumento da nossa gama, estando atentos as novas tendências dos mercados, procurando antecipar as necessidades dos nossos actuais e potenciais clientes, desenvolvendo novas soluções para estes.

A nossa gama ao longo da nossa existência tornou-se cada vez mais ajustada ao consumidor e as suas exigências, o feedback do cliente ajuda-nos a melhorar e ajustar o produto.

A mudança de instalações em 2017, agora com 5000m², aliada ao investimento em nova maquinaria (corte a laser, célula de solda robotizada, máquina de lixar por planos, unidade de pintura Eletrostática, entre outras) bem como o Know-How, permitiu ainda a CrossPro entrar em novas áreas de negócios, aumentando as nossas valências como metalomecânica e produtores dos mais variados produtos.

CrossPro é sinónimo de qualidade para o cliente.

In 2005 CrossPro was born, a company dedicated to the production of protections and accessories for 2 and 4 wheel vehicles. Their founders' passion and knowledge of the sport and mechanics allowed CrossPro to grow rapidly and sustainably.

CrossPro quickly achieved a respectable reputation in Europe for the production and development of its products, the solutions offered have made it possible to reach new markets and today ensure a worldwide presence in very different markets, but at the same time as demanding as the European market.

Our products are manufactured in our factory in Portugal and are subject to strict quality control to ensure the quality of the products offered. The bet on the continuous improvement of our products and processes, give the products we offer a differentiation in the market.

All CrossPro products are tested under extreme conditions, allowing us to obtain the final product suitable for the end consumer, whether professional or amateur, ensuring maximum performance.

We focus on increasing our range, being aware of new market trends, seeking to anticipate the needs of our current and potential customers, developing new solutions for them.

Our range over our lifetime has become increasingly consumer-adjusted and their requirements, customer feedback helps us improve and adjust the product.

The change of installations in 2017, now with 5000 sqm, combined with investment in new machinery (laser cutting, robotic welding cell, flat sanding machine, electrostatic painting unit, among others) as well as Know-How, also allowed CrossPro enters new business areas, increasing our skills as a metalworker and producers of various products.

CrossPro stands for quality.



FOR THE REAL ADVENTURERS



CENTRO 2020



UNÃO EUROPEIA
Fundo Europeu de Desenvolvimento Regional



Management System
ISO 9001:2015



www.tuv.com
ID 9105077726

10
AJP

12
BENELLI

16
BMW

50
HONDA

80
KAWASAKI

86
KTM

106
SUZUKI

122
TRIUMPH

126
YAMAHA

CONTENT

for the real adventurers

//A CrossPro atenta às tendências, acompanhou o crescimento deste segmento (dual-sports), desenvolvendo Protecções de Carenagem completas bem como Protecções de Motor, que permitem uma protecção total das zonas críticas da moto.

As nossas protecções diferenciam-se das da concorrência na matéria prima, o alumínio. As protecções de alumínio oferecem vantagens como:

•Preocupações ambientais são um dos temas mais sensíveis da actualidade a diferença substancial de peso das nossas protecções, leva a uma redução de consumos e desgaste da moto.

•Maior leveza, aumenta performance e segurança da sua condução

•Não oxida, a sua protecção manterá a cor e aspecto novo por mais tempo

•Personalização, um leque de cores disponíveis que lhe permitirá ter a protecção a seu gosto

Além das protecções referidas, a CrossPro está a desenvolver para estes modelos uma linha de acessórios de protecção de zonas mais sensíveis, com um design discreto mas com a máxima protecção.

Os acessórios desenvolvidos, combinam alumínio e aço inox para garantir a protecção destas zonas.

//CrossPro, keeping up with the trends, followed the growth of this segment by developing complete Crash Bars as well as Engine Guards that allow full protection of critical areas of the motorcycle.

Our protections differ from the competition in the raw material, the aluminum. Aluminum protections offer advantages such as:

•Environmental concerns are one of the most sensitive issues today, the substantial difference in weight of our protections, leading to a reduction in fuel consumption and motorcycle riding.

•Increased lightness, increased performance and driving safety.

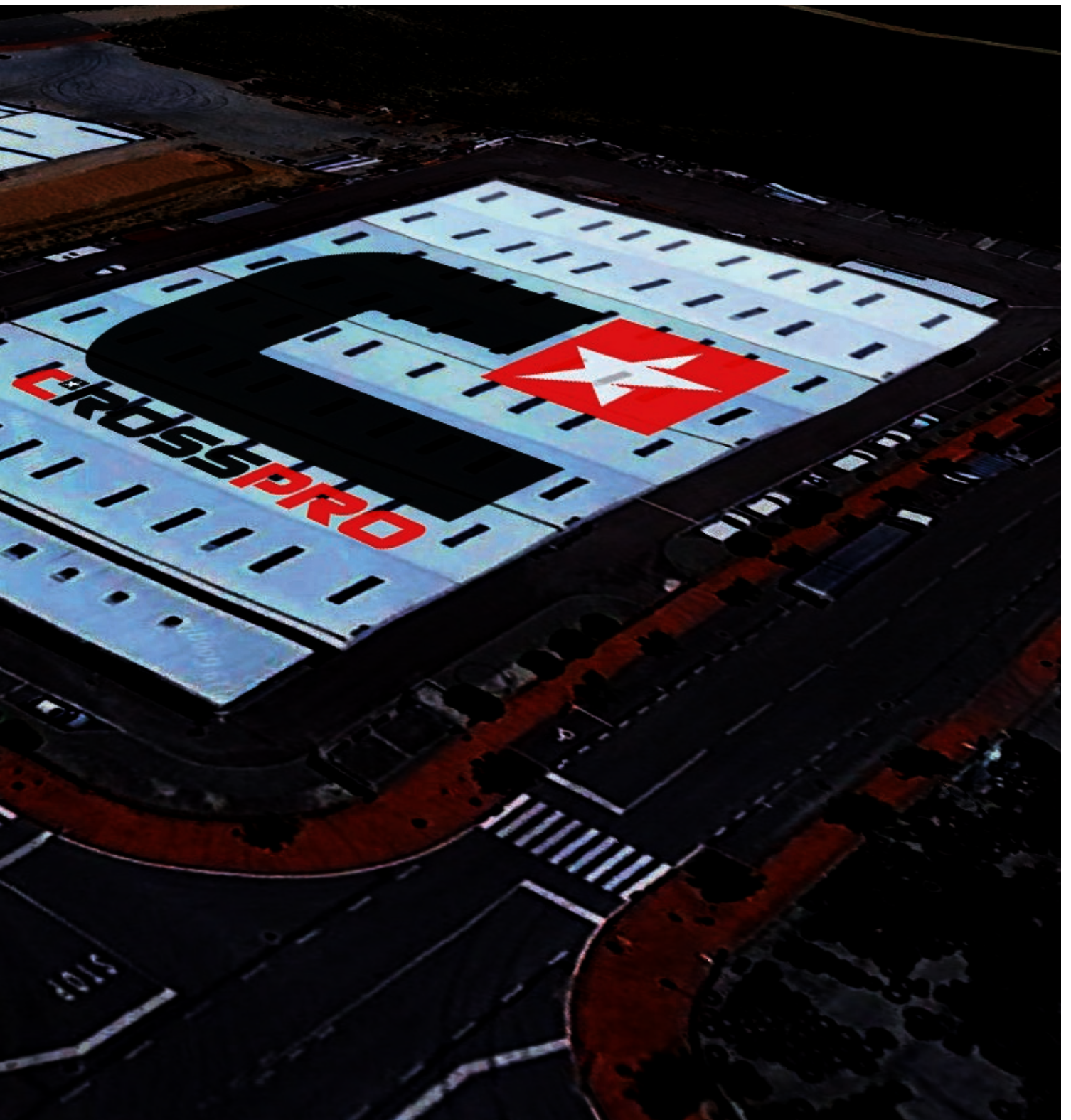
•Does not oxidize, the protection will keep the color and look new longer

•Personalization, a range of available colors that will allow you to have the protection to your liking.

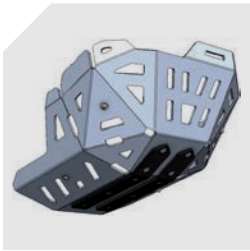
In addition to the above protections, CrossPro is developing a range of accessories, for the protections of the more sensitive zone of your bike, with a discreet design but maximum protection.

The developed accessories combine aluminum and stainless steel to ensure the protection of these areas.





diagram



//2CP090 Aluminum Engine Guard

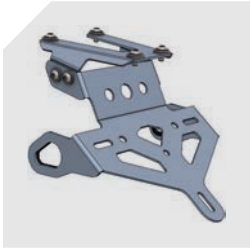
Made of the highest quality aluminum, 4mm thickness.

It protects your motorcycle's engine with maximum effectiveness against impacts and stone projections.



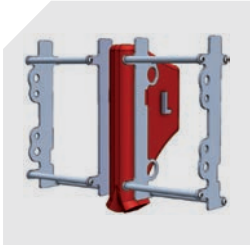
//2CP197 Aluminum Crash Bar

- Aluminum protections
- Reduced weight
- Maximum Resistance
- Innovative Design
- Maximum protection to your bike
- Produced in high quality aluminum, with 25mm diameter and 3mm thickness



//2CP207

- Made of stainless steel
- Easy to install
- Simple maintenance
- High strength
- Available in multiple colors



//2CP210 Radiator Aluminum Guard

The CrossPro radiator were specially designed to protect your Cooling System, your bike's most fragile and important component - without obstructing airflow to the radiator

Designed as a "radiator roll cage", the CrossPro radiator protection secures a perimeter around the radiator, without its fixation points are in direct contact with the radiator

With this security perimeter, hard impacts won't affect your radiator

Made by best quality aluminum, with a thickness of 3mm



//2CP214 Chain Guard

We developed this protection in order to increase the security, it's more resistant than the original part, the chain guard combines stainless steel and aluminium yet is still relatively light

The mounting of the part is based on a "do it yourself" allowing a easy mounting and maintenance

This piece allows you to combine different colours



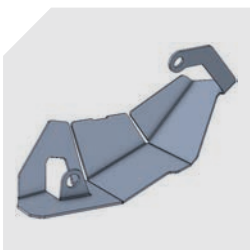
//2CP215 Chain Guard Fin

This lower protection it's a combination of aluminium/stainless steel, secure your chain guard preventing branches and other objects from knocking the chain of the drive sprocket.

The chain guard fin is stronger than the original plastic item!

Existing fixation points can be used, which makes this chain guard easy to mount at your home.

Available in different colours



//2CP216 Parking Brake Guard

Protects the parking brake against damage Made in Stainless Steel

Easy to install

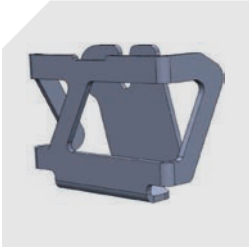
Rust-proof with simple maintenance

Available in different colours



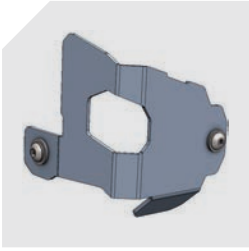
//2CP217 Brake Calliper Guard

Protects the callipers against damage
Made in Stainless Steel
Easy to install
Rust-proof with simple maintenance
Available in different colours



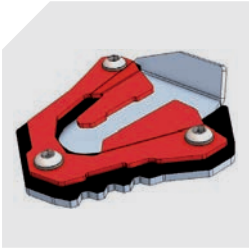
//2CP218 Rear Brake Fluid Reservoir Guard

Made from laser-cut stainless steel, the brake fluid reservoir guard effectively prevents damage and undesired access to the reservoir lid, yet allowing easily see the fluid level, controlling the necessary maintenance. The protection is mounted using the existing mounting point.
Available in different colours



//2CP219 Dual Clutch Transmission Guard (DCT)

Protects the Dual Clutch Transmission against damage
The stainless steel protection is simple to install, rust-proof with simple maintenance



//2CP220 Side Stand Base Extention

Combines stainless steel and aluminum increase the area of supporting the bike Gives more stability in different types of grounds when using the rest Easy to install Available in different colours



//2CP221 Head Ligth Protector

Stainless steel headlight protector was design to maximize the protection and at the same time beautify your motorcycle
Easy to install
Available in different colours



//2CP222 Luggage Rack

Optimise the stowage of your luggage on your Africa Twin! The luggage rack, made of 4mm thick aluminium, is precisely laser-machined and virually doubles the usable surface area of the original Honda luggage rack. The surface of your rack has great optics, the shape adapts elegantly to the motorbike's design. Numerous recesses and slots for straps offer a variety of lashing options. The wide design even offers large pieces of luggage a firm hold. The rack can be fitted quickly and easily.



//2CP227 Radiator Guard

Protects the radiator from stones being thrown up from the ground
Laser-cut stainless steel, does not affect the radiator function
The radiator cover can cause the engine to overheat under extreme conditions with high outside temperatures and an extreme engine load



//2CP124 DTC Skidplate

Tested in hostile conditions, this skidplates offer the best protection for the engine and frame of your bike in hard tracks. Produced in best quality DTC with 8mm thickness without helds, they're 40% lighth comparing with aluminum. They're more resistentes to impact and causo no vibrations. Reinforced with 6mm stripes bellow to overcome easilly obstacles.
Available in different colors (Blue, Red and Black).

AJP

PR7 650

Adventure

2017-2021





2CP0900040****

ENGINE GUARD



2CP1970040****

CRASHBARS



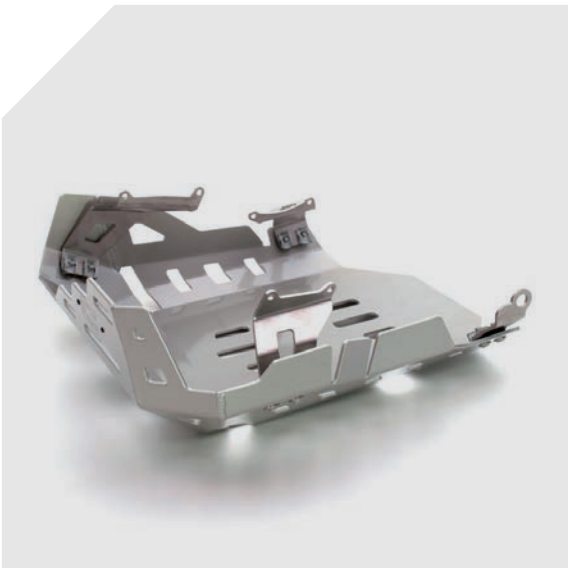
2CP2100040****

RADIATOR GUARDS



2CP1970031****

CRASHBARS



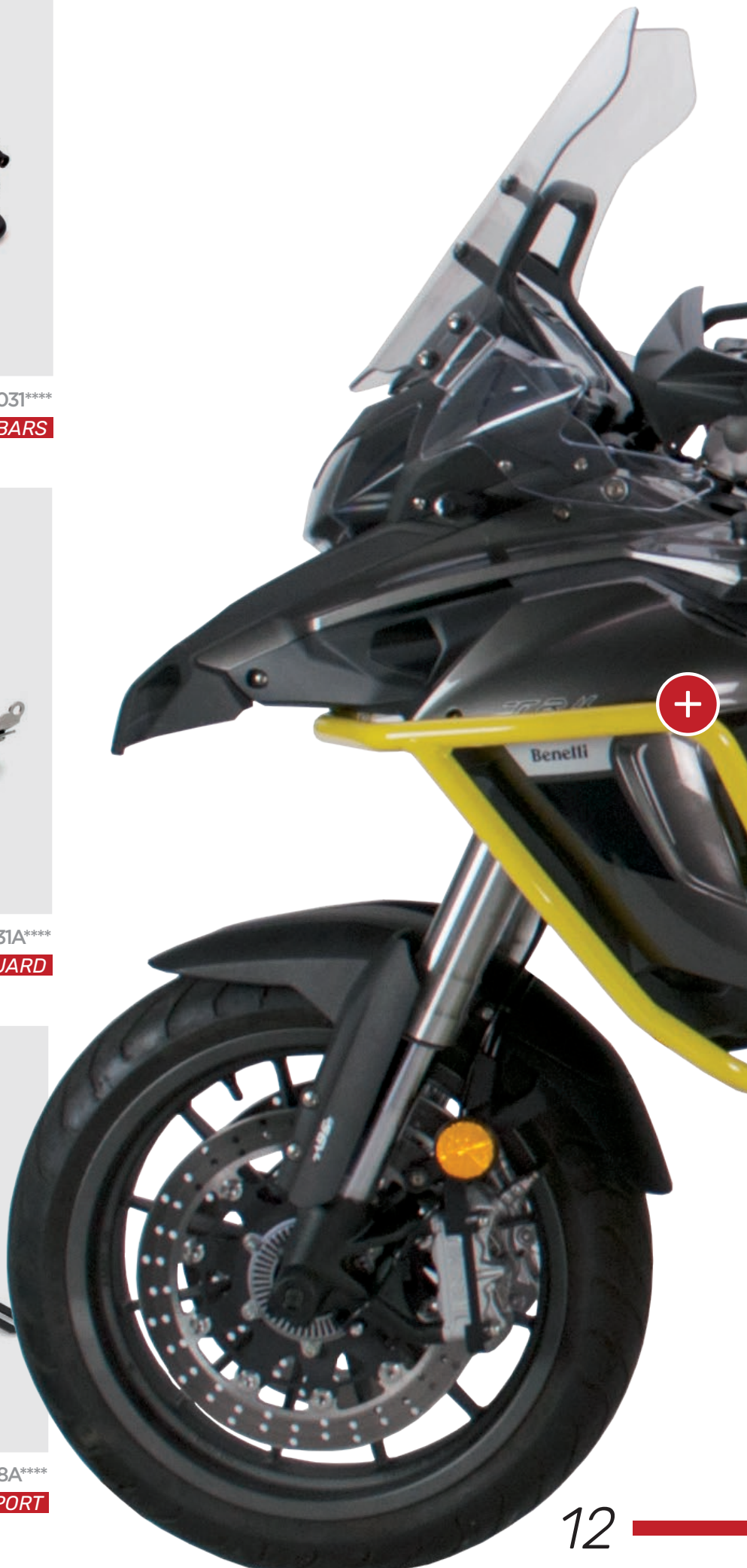
2CP090031A****

ENGINE GUARD



2CP207038A****

LICENSE PLATE SUPPORT



BENELLI

TRK 502

2017-2020

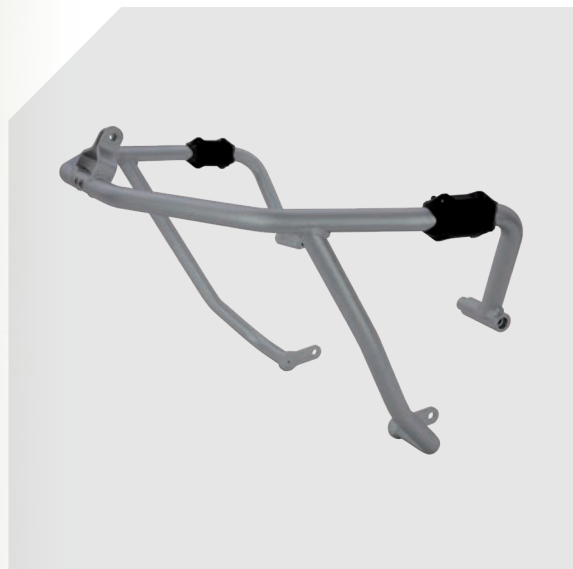




BENELLI

TRK 502 X

2018-2021



2.54kg



25 mm



2CP1970031****

CRASHBARS



298kg



4 mm



2CP090042B****

ENGINE GUARD



0.26kg



2 mm



2CP207038A****

LICENSE PLATE SUPPORT

nir



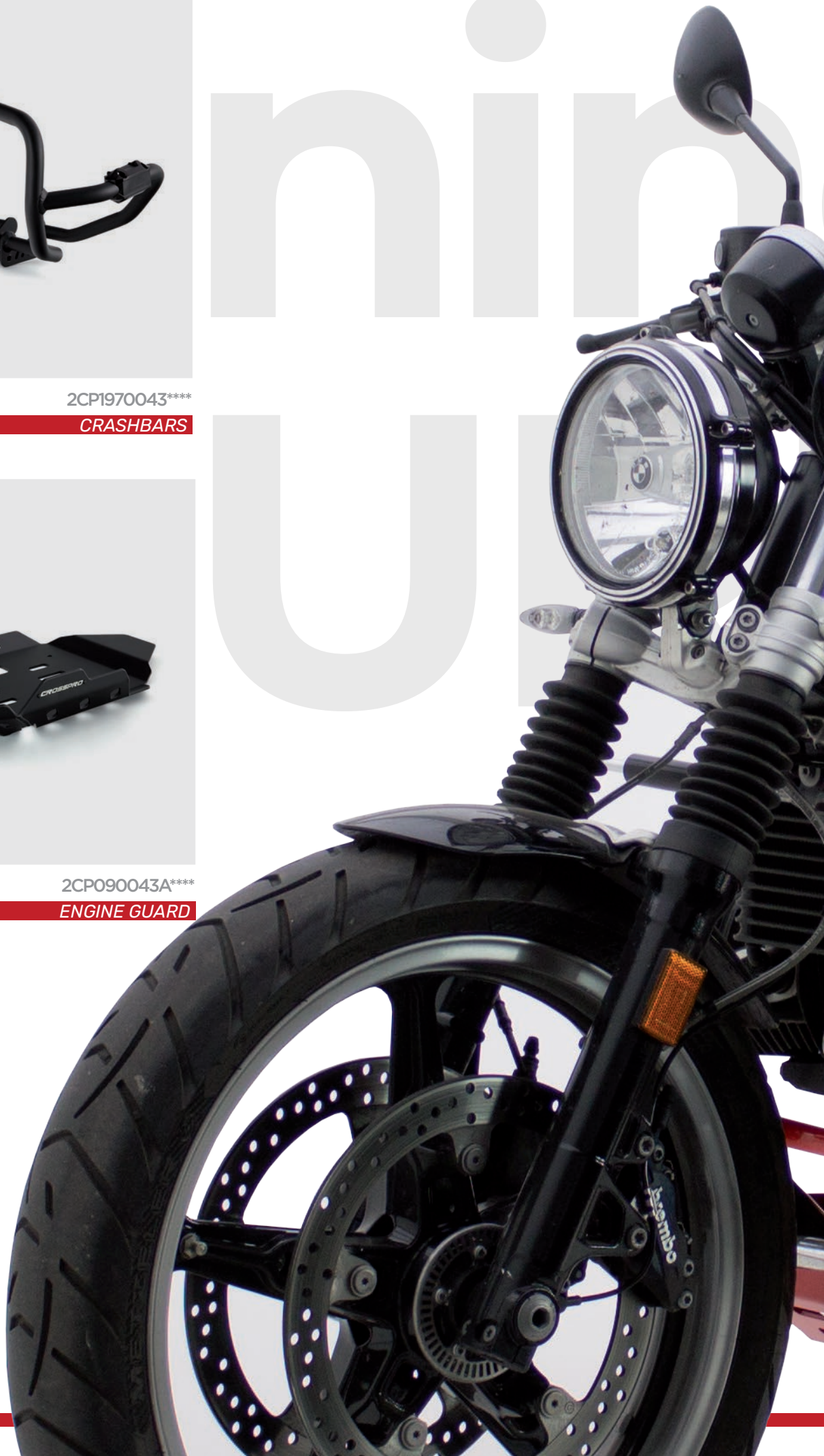
2CP1970043****

CRASHBARS



2CP090043A****

ENGINE GUARD



BMW

nineT URBAN G/S
(K33)
2016-2019



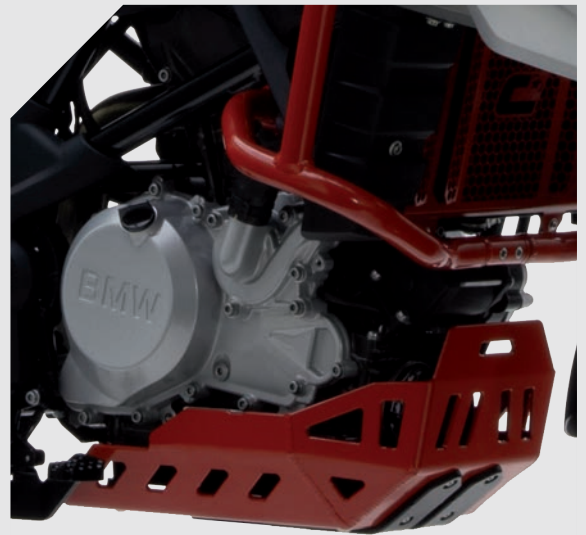
BMW G 310 GS (K2) 2016-2020





2CP1970056****

CRASHBARS



2CP0900056****

ENGINE GUARD



2CP2270056****

RADIATOR GUARD





@GRDuarte

BMW

F 650 GS (R13)

1999-2007





2CP1970036****

CRASHBARS



2CP0900036****

ENGINE GUARD





1.84kg

22 mm

13 AI Aluminum

2CP1250005****

CRASHBARS



2.20kg

4 mm

13 AI Aluminum

2CP0900005****

ENGINE GUARD

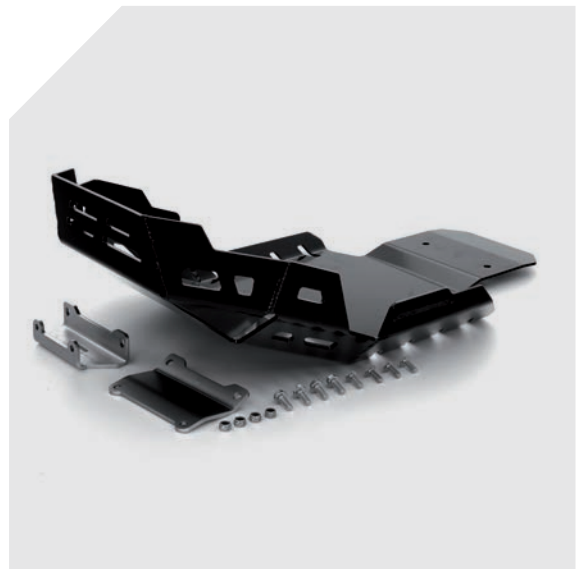
BMW F 650 GS (K72) 2008-2012





 3.70 kg
  25 mm
 

2CP197044A***
CRASHBARS



 2.80 kg
  4 mm
 

2CP090044A***
ENGINE GUARD

BMW F 750 GS (K80) 2016-2020



BMW F 800 GS (K72) 2007-2016



2CP1250001****

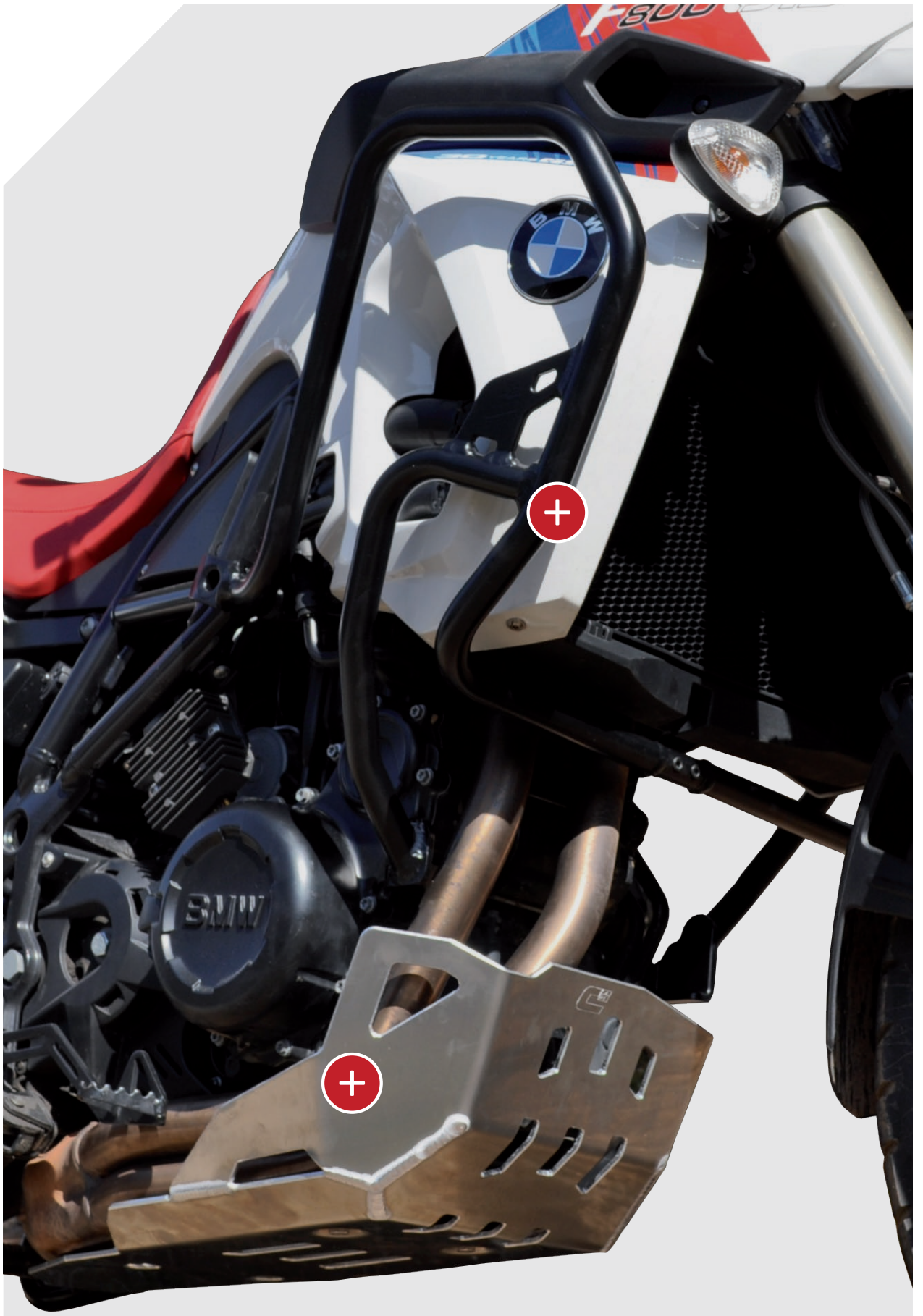
CRASHBARS



2CP0900001****

ENGINE GUARD





BMW

F 800 GS (K75)

Adventure 2012-2018



3.06kg



25 mm



2CP1970033****

CRASHBARS



2.20kg



4 mm



2CP0900001****

ENGINE GUARD



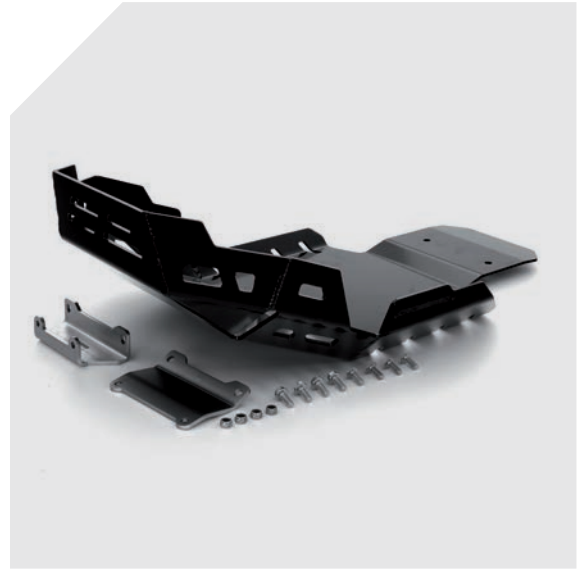






2CP197044A****

CRASHBARS



2CP090044A****

ENGINE GUARD

BMW

F 850 GS (K81)

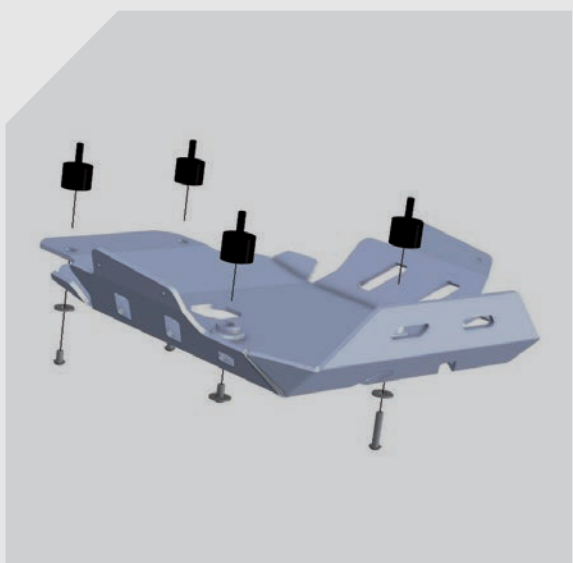
2016-2020





BMW R 1150 GS

(R21) 1999-2004
(R21A) 2002-2006



R1150GS Adventure 2CP1970045****
R1150GS 2CP1970041****

4.90g 25mm AI Aluminum

CRASHBARS

160g 4mm AI Aluminum

2CP0900041****

ENGINE GUARD



3.00kg



22 mm



2CP125003A****

CRASHBARS



1.56kg



4 mm



2CP090003A****

ENGINE GUARD

BMW

R 1200 GS (K25)

2003-2007





BMW R 1200 GS 2008-2012



1.72g



4 mm



2CP090010A****

ENGINE GUARD



3.14g



22 mm



2CP1250010****

CRASHBARS



BMW R 1200 GS (K50) 2013-2016



3.88 kg



22 mm



2CP1250015****

CRASHBARS



1.50 kg



4 mm



2CP0900015****

ENGINE GUARD





2CP0900015****

ENGINE GUARD



2CP1970030****

CRASHBARS

BMW R 1200 GS (K50) 2017





BMW R 1200 GS Adventure (K255) 2008-2013



2008-2009 2CP1970069****

2010-2013 2CP1970037****

CRASHBARS



2CP090010A****

ENGINE GUARD





+

+

BMW R 1200 GS Adventure (K51) 2014-2018



4.88 kg



25 mm



2CP1970035****

CRASHBARS



1.50 kg



4 mm



2CP0900015****

ENGINE GUARD



BMW

R 1250 GS (K50)

2019



2CP1970050****

CRASHBARS



2CP0900050****

ENGINE GUARD







BMW R 1250 GS Adventure (K51)

2019-2020



4.68 kg



25 mm



13 Al
Aluminum

2CP1970071****

CRASHBARS



1.50 kg



4 mm



13 Al
Aluminum

2CP0900050****

ENGINE GUARD



HONDA CB 500 X 2013-2018



2.24kg



22 mm



Aluminum

2CP1250026****

CRASHBARS

PROTECO

BIKE VIVA



ST YOUR

TH



@GRDuarte



HONDA^{CB 500 X} 2019-2021



2.45 kg



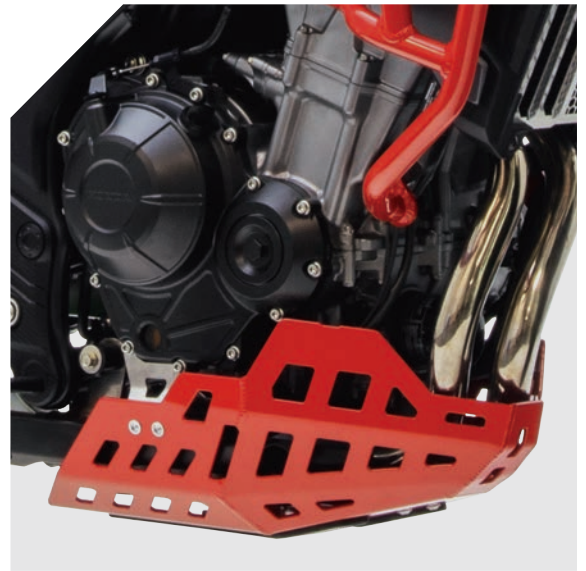
25 mm



AI
Aluminum

2CP1970057****

CRASHBARS



2.50 kg



4 mm



AI
Aluminum

2CP0900057****

ENGINE GUARD



0.34 kg



1.5 mm



304
STAINLESS
STEEL

2CP2270057****

RADIATOR GUARD



HONDA

CB 650 R 2019-2021



0.56kg

1.5mm

304
STAINLESS
STEEL

2CP2270074****

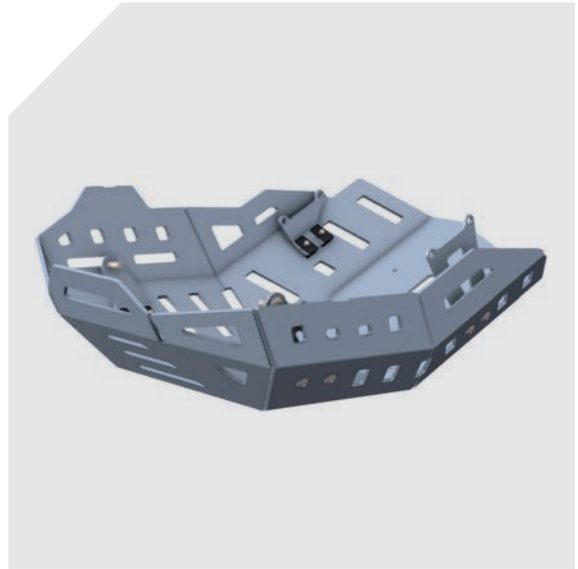
RADIATOR GUARD



185g
22 mm
AI
Aluminum

2CP125001****

CRASHBARS



3.08g
4 mm
AI
Aluminum

2CP0900058****

ENGINE GUARD

HONDA

**Not for dual clutch*

**NC 700 X
2012-2017**

**NC 750 X
2014-2015**





@GRDuarte



HONDA NC 750 X 2016-2020

**Not for dual clutch*



2CP1970058****

CRASHBARS



2CP0900058****

ENGINE GUARD



2CP2270058****

RADIATOR GUARD

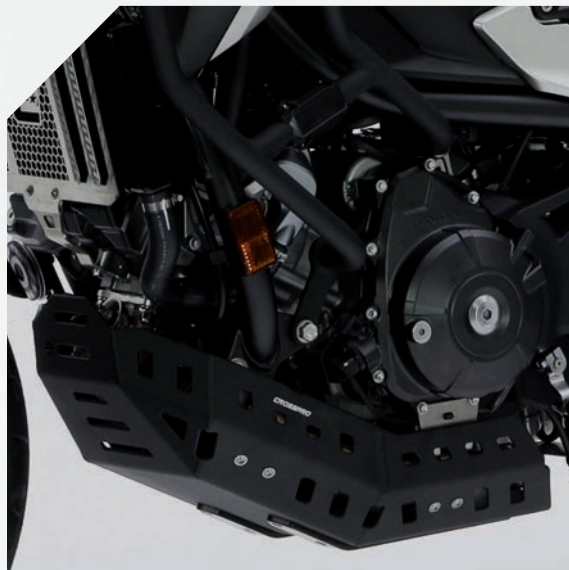
HONDA NC 750 X 2021

**Not for dual clutch*



2CP1970073****

CRASHBARS



2CP0900073****

ENGINE GUARD



2CP2270058****

RADIATOR GUARD







2.14 kg

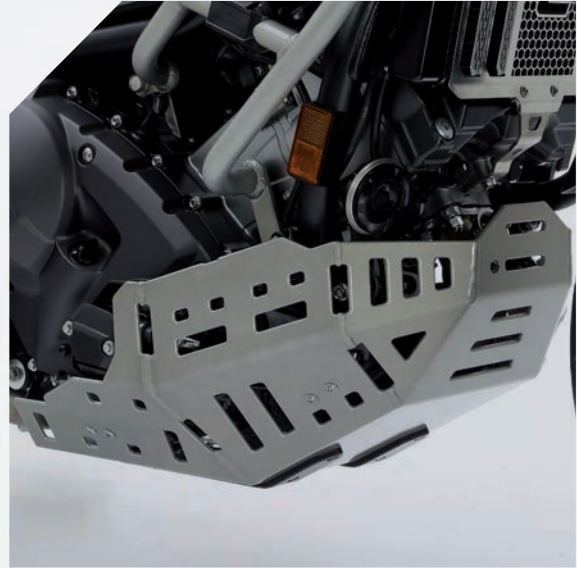


25 mm



2CP1970073****

CRASHBARS



3.46 kg

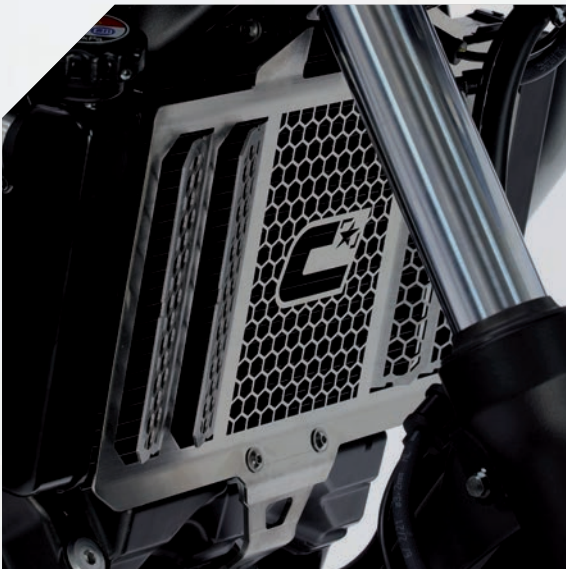


4 mm



2CP0900076****

ENGINE GUARD



0.56 kg



1.5 mm



2CP2270058****

RADIATOR GUARD



HONDA

NC 750 X

DCT 2021



HONDA XRV 750 Africa Twin 1993-2000



2.80kg



22 mm



Aluminum

2CP1250027****

CRASHBARS





HONDA X ADV 750 2017-2019



2.1kg



25 mm



Aluminum

2CP1970052****

CRASHBARS



2.20kg



4 mm



Aluminum

2CP0900052****

ENGINE GUARD



*Normal Clutch 2CP197023A****

*Dual Clutch 2CP197024A****

CRASHBARS

HONDA CRF 1000 Africa Twin

&

Adventure Sport 2016-2019



2CP090023A****

ENGINE GUARD



Luggage Rack

01

Optimise the stowage of your luggage on your Africa Twin! The luggage rack, made of 4mm thick aluminium, is precisely laser-machined and virtually doubles the usable surface area of the original Honda luggage rack. The surface of your rack has great optics, the shape adapts elegantly to the motorbike's design. Numerous recesses and slots for straps offer a variety of lashing options. The wide design even offers large pieces of luggage a firm hold. The rack can be fitted quickly and easily.

//2CP2220A23 - CRF 1000 Africa Twin 2016-2019, CRF 1000 Africa Twin DCT 2016-2019

//2CP2220B23 - CRF 1000 Africa Twin Adventure Sports 2019, CRF 1000 Africa Twin Adventure Sports DC 2019

Brake Calliper Guard

Protects the callipers against damage
Made in Stainless Steel
Easy to install
Rust-proof with simple maintenance
Available in different colours

02

Proteção da Pinça de Travão da Frente

*Protege as pinças de travão contra danos
Feito em aço inoxidável
Fácil de instalar
Não oxida, com manutenção simples
Disponível em diferentes cores*

//2CP2170023

Parking Brake Guard

Protects the parking brake against damage Made in Stainless Steel
Easy to install
Rust-proof with simple maintenance
Available in different colours

03

Proteção do Travão de Parque

*Protege o travão de estacionamento contra danos, produzido em aço inoxidável
Fácil de instalar
Não oxida com manutenção simples
Disponível em diferentes cores*

//2CP2160023

Dual Clutch Transmission Guard (DCT)

Protects the Dual Clutch Transmission against damage
The stainless steel protection is simple to install, rust-proof with simple maintenance

04

Proteção da Transmissão Dual Clutch

*Protege a transmissão da embreagem dupla contra danos (DCT)
A proteção de aço inoxidável é simples de instalar, não oxida com manutenção simples*

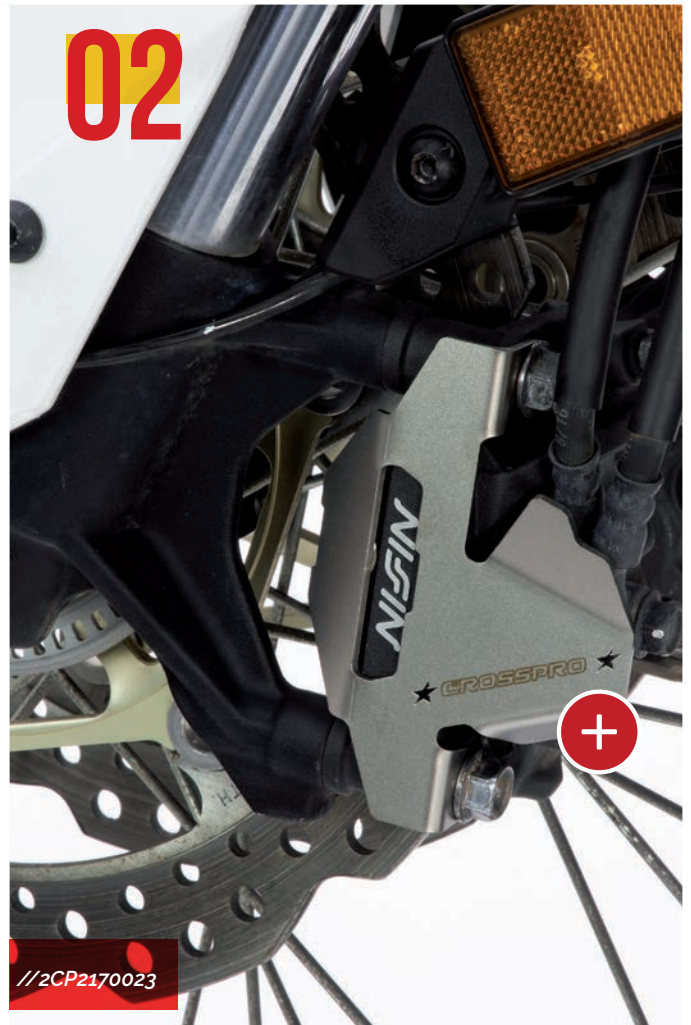
//2CP2190023

01



//2CP2220A23
//2CP2220B23

02



//2CP2170023

03



//2CP2160023

04



//2CP2190023

Chain Guard

We developed this protection in order to increase the security, it's more resistant than the original part, the chain guard combines stainless steel and aluminium yet is still relatively light

The mounting of the part is based on a "do it yourself" allowing a easy mounting and maintenance

This piece allows you to combine different colours

05

Proteção de Corrente

Desenvolvemos esta proteção para aumentar a segurança, mais resistente que a peça original, a proteção de corrente combina aço inoxidável e alumínio, mantendo um peso bastante reduzido.

A montagem da peça é baseada em "faça você mesmo", permitindo fácil montagem e manutenção

Esta peça permite combinar diferentes cores

//2CP2140023

Rear Brake Fluid Reservoir Guard

Made from laser-cut stainless steel, the brake fluid reservoir guard effectively prevents damage and undesired access to the reservoir lid, yet allowing easily see the fluid level, controlling the necessary maintenance. The protection is mounted using the existing mounting point.

Available in different colours

06

Proteção do Reservatório de Óleo do Travão

Fabricada em aço inoxidável cortado a laser, a proteção do reservatório de fluido de travão previne eficazmente danos e acesso indesejado à tampa do reservatório, permitindo ainda ver facilmente o nível do fluido, controlando a manutenção necessária. A proteção é montada usando o ponto de montagem existente.

Fácil de instalar

Disponível em diferentes cores

//2CP2180A23 - CRF 1000 Africa Twin (All models 2016-2017)

//2CP2180B23 - CRF 1000 Africa Twin (All models 2018-2019)

Chain Guard Fin

This lower protection it's a combination of aluminium/stainless steel, secure your chain guard preventing branches and other objects from knocking the chain of the drive sprocket.

The chain guard fin is stronger than the original plastic item!

Existing fixation points can be used, which makes this chain guard easy to mount at your home.

Available in different colours

07

Proteção Inferior da Corrente

Esta proteção inferior é uma combinação de alumínio / aço inoxidável, protegendo a corrente e evitando que esta saia da cremalheira.

A barbatana de proteção da corrente é mais forte que a proteção original fabricada em plástico!

Pontos de fixação existentes podem ser usados, o que facilita a montagem desta proteção por si mesmo.

Fácil de instalar

Disponível em diferentes cores

//2CP2150023

Side Stand Base Extention

Combines stainless steel and aluminum increase the area of supporting the bike Gives more stability in different types of grounds when using the rest Easy to install Available in different colours

08

Extensão da Base do Descanso Lateral

Combina aço inoxidável e alumínio permite aumentar a área de apoio da moto

Dá mais estabilidade em diferentes tipos de terrenos ao usar o descanso

Fácil de instalar

Disponível em diferentes cores

//2CP2200023

Head Light Protector

Stainless steel headlight protector was design to maximize the protection and at the same time beautify your motorcycle

Easy to install

Available in different colours

09

Proteção do Farol Frontal

Protetor do farol em aço inoxidável foi projetado para maximizar a proteção e ao mesmo tempo embelezar sua Moto

Fácil de instalar

Disponível em diferentes cores

//2CP2210023





HONDA CRF 1100L Africa Twin 2020-2022



* Africa Twin Adventure Sport DCT 2CP1970063****

* Africa Twin Adventure Sport 2CP197059A****

*Africa Twin DCT 2CP1970066****

*Africa Twin 2CP1970061****



4.26kg



25 mm



CRASHBARS



2.94kg

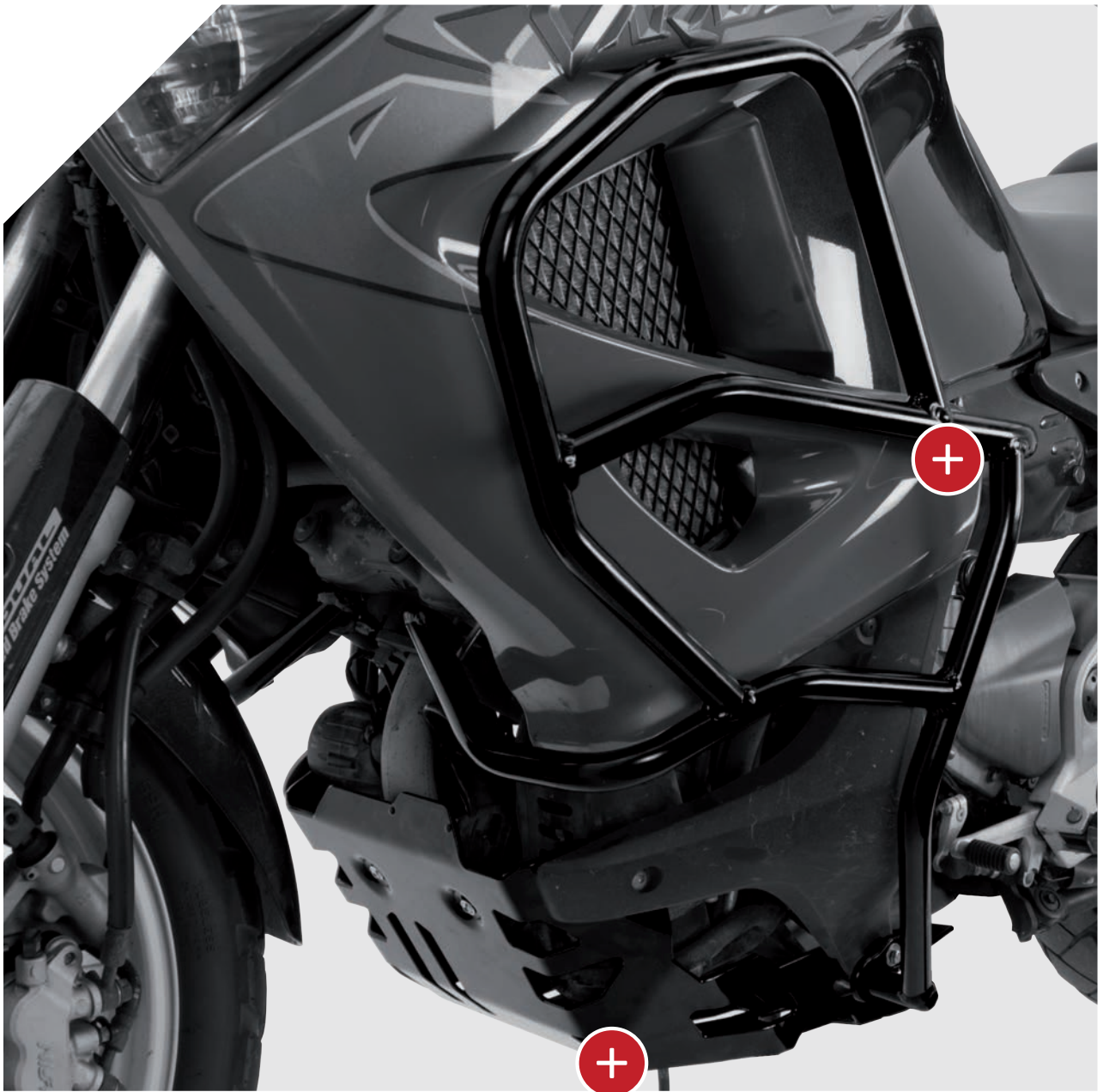


4 mm



2CP090061A****

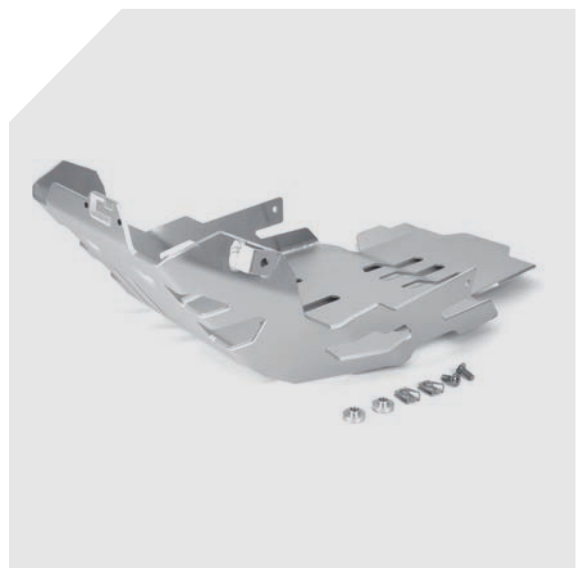
ENGINE GUARD



 3.20kg
 22 mm
 13 AI Aluminum

*1999-2011 2CP125004A****

CRASHBARS



 2.32kg
 4 mm
 13 AI Aluminum

*2007-2011 2CP090004A****

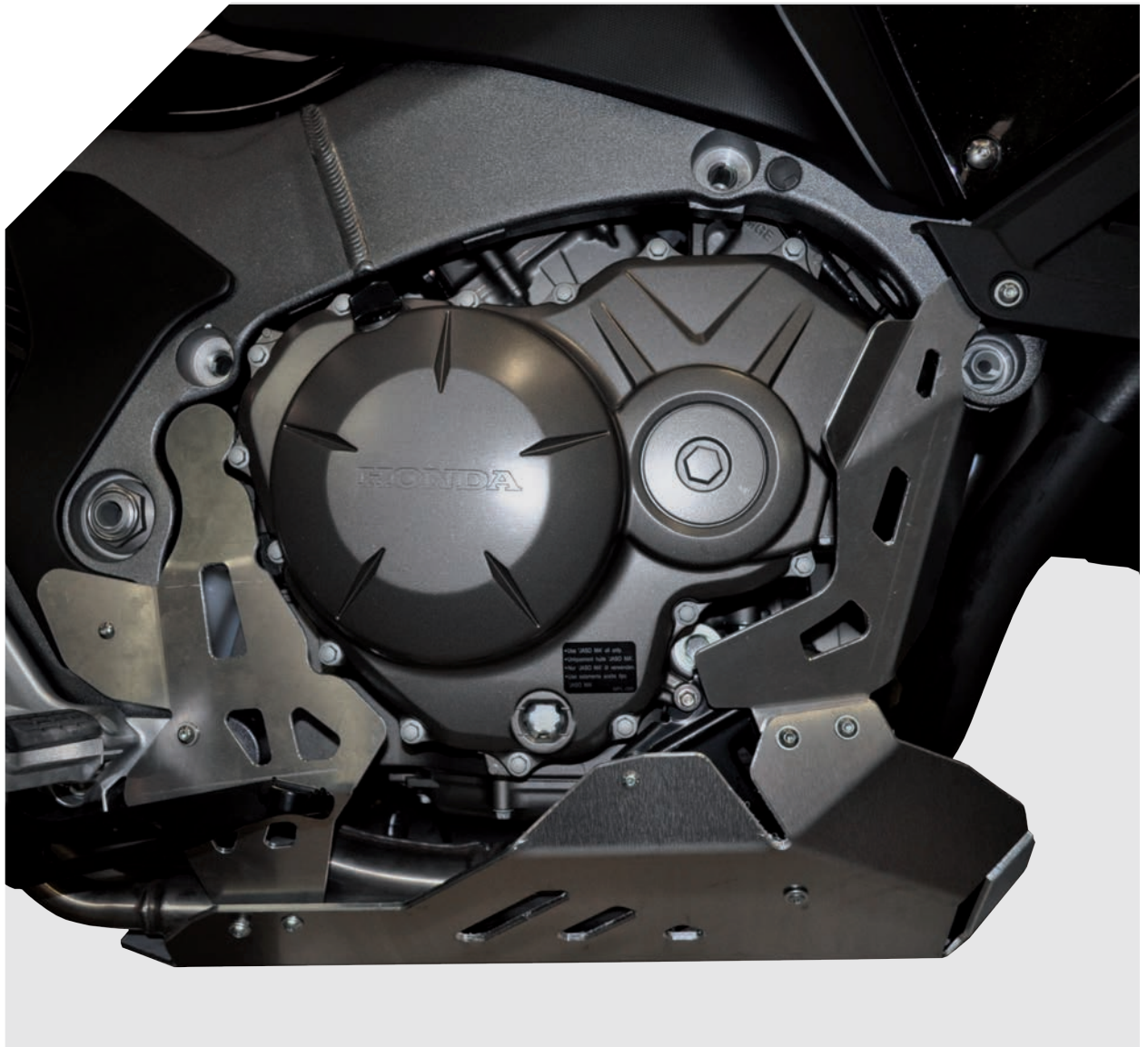
ENGINE GUARD

HONDA XL 1000 VARADERO 1999-2011



HONDA VFR 1200 X CROSS TOURER 2012-2015





1.72_g 22 mm



2CP1250009****

CRASHBARS



2.66_g 4 mm



2CP090009A****

ENGINE GUARD

**KAWASAKI
KLE 650
VERSYS
2007/10-2014**





* 2010-2014 2CP1250008****

CRASHBARS



* 2007-2014 2CP0900008****

ENGINE GUARD





 2.38kg
 25 mm


2CP1970039****

CRASHBARS



 1.70kg
 4 mm


2CP0900039****

ENGINE GUARD

KAWASAKI

KLE 650

VERSYS 2015-2021



KAWASAKI KLR 650 2008-2015



2.26kg
25mm
AI
Aluminum

2CPI250014****

CRASHBARS



1.38kg
4mm
AI
Aluminum

2CP0900014****

ENGINE GUARD



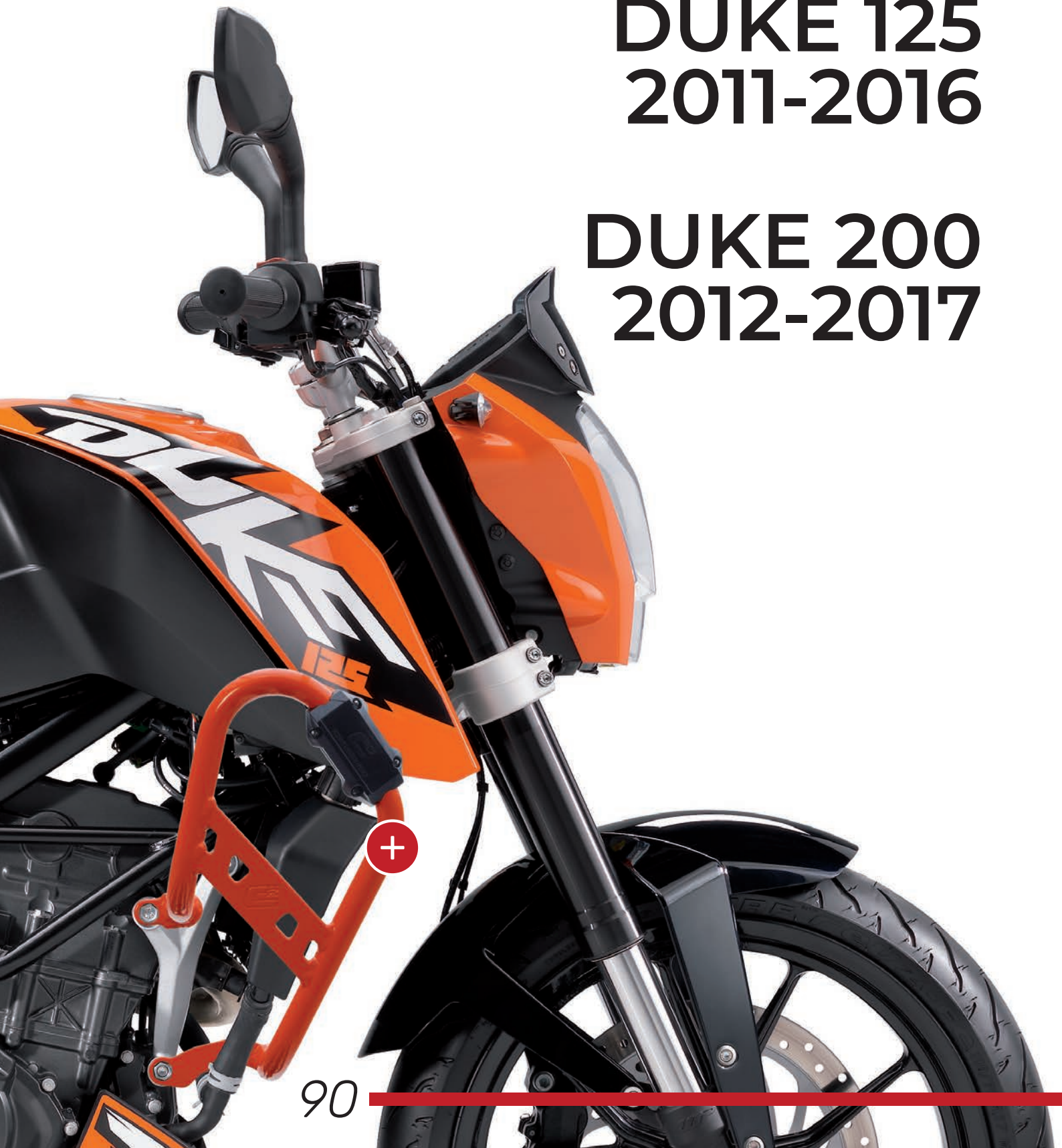


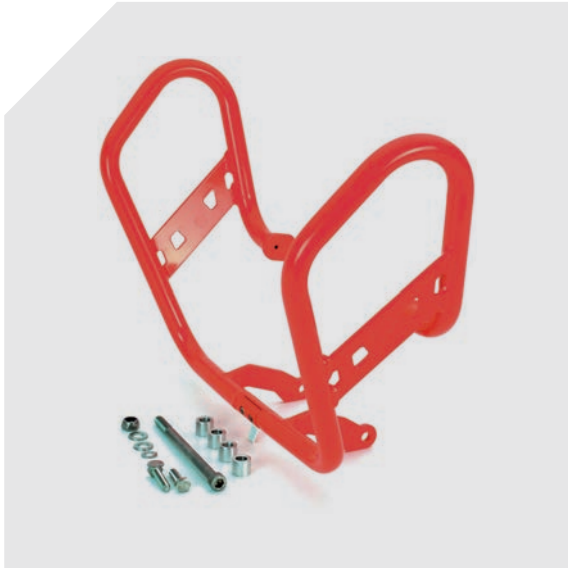
@GRDuarte

KTM

**DUKE 125
2011-2016**

**DUKE 200
2012-2017**





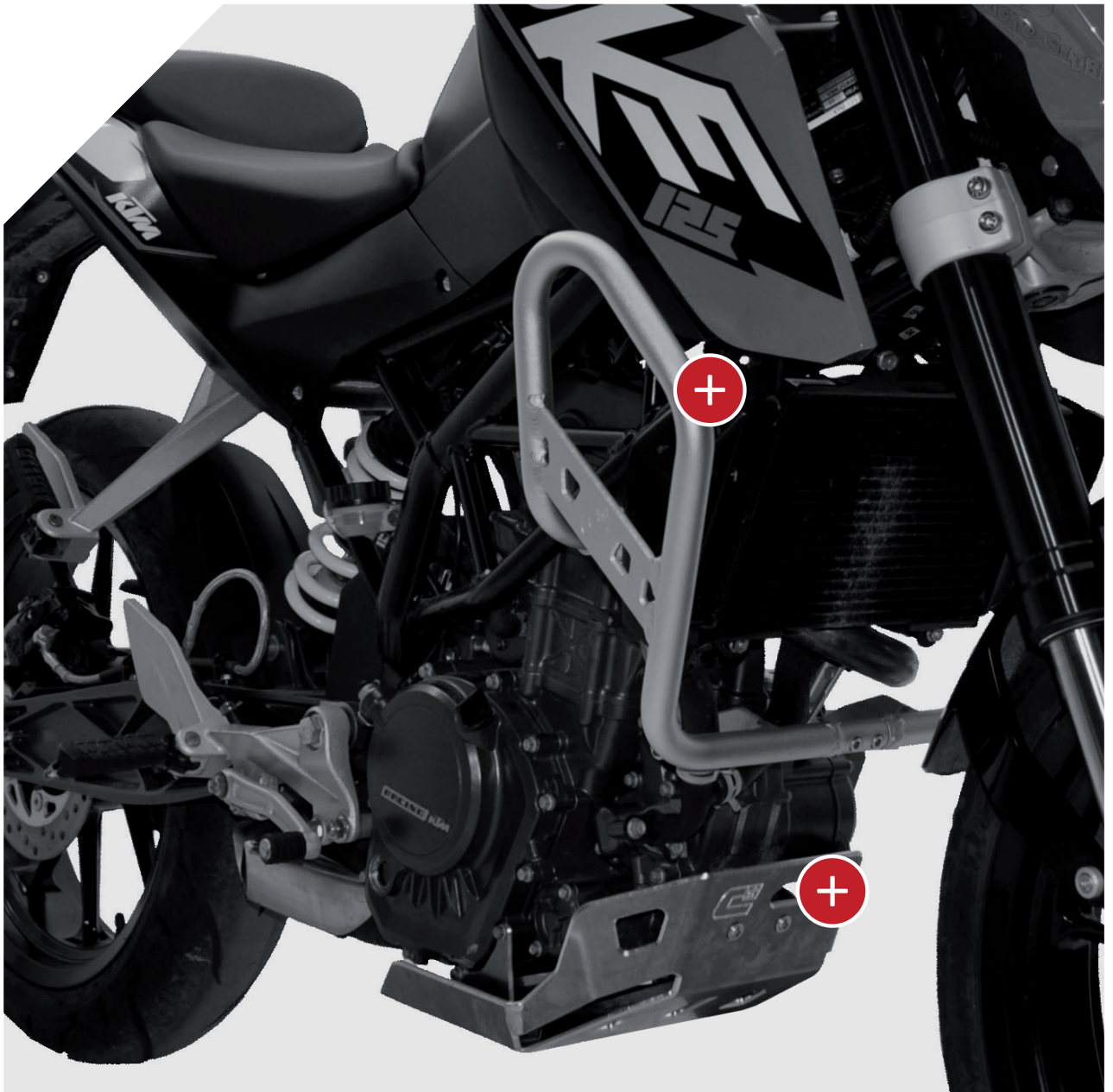
2CP1250018****

CRASHBARS



2CP0900018****

ENGINE GUARD



DUKE 250 2015-2016
DUKE 390 2013-2017

KTM





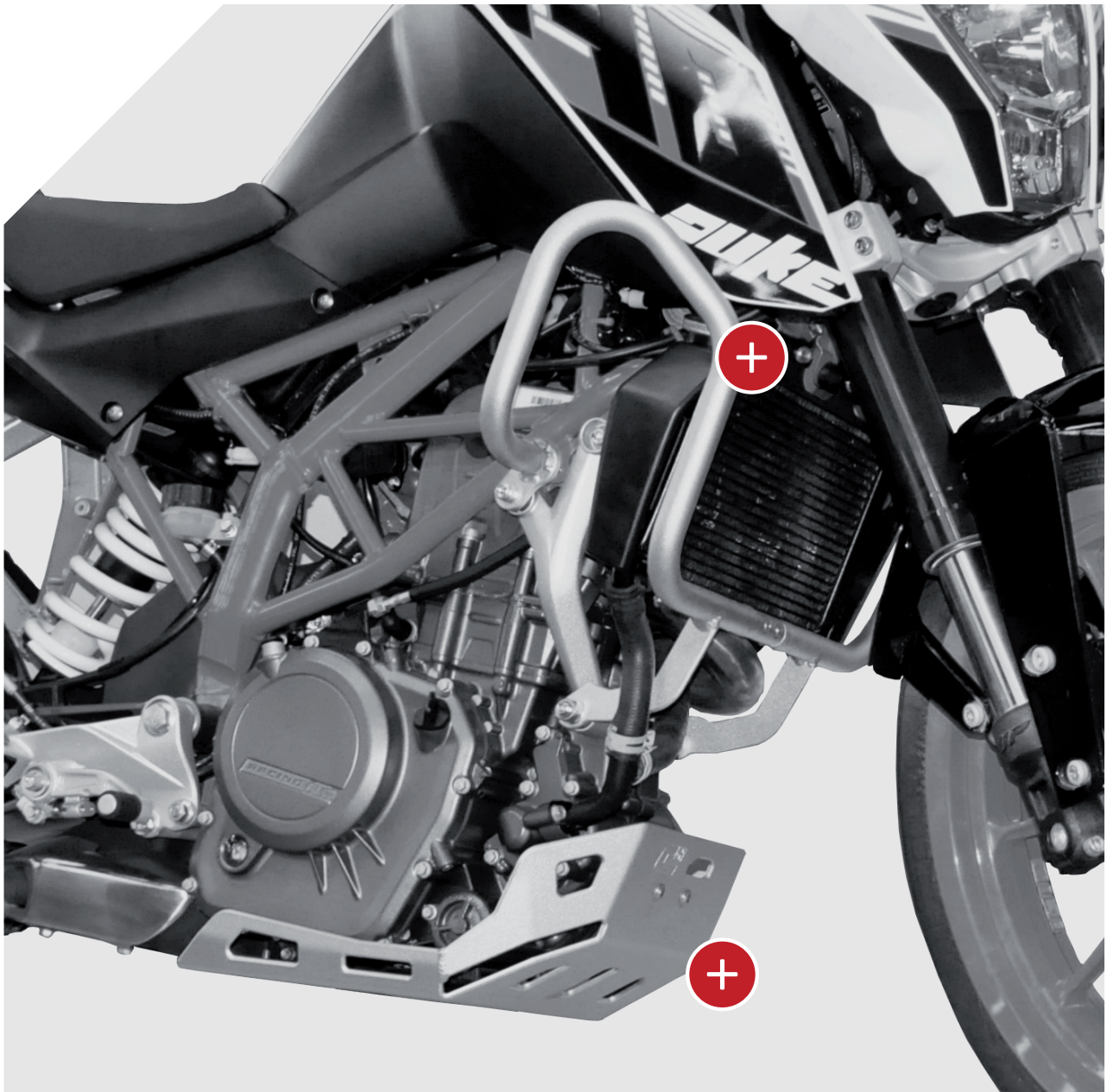
2CP1250021****

CRASHBARS



2CP0900021****

ENGINE GUARD





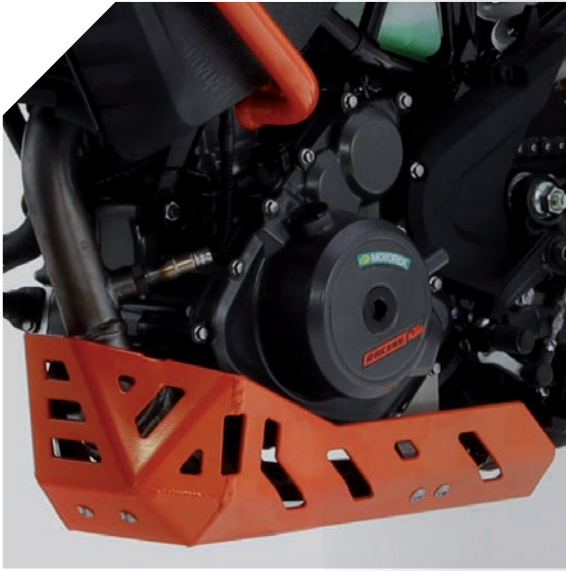
2.04kg

10³
25 mm

13 AI
Aluminum

2CP1970068****

CRASHBARS



210kg

4 mm

13 AI
Aluminum

2CP0900068****

ENGINE GUARD



0.22kg

2 mm

304
STAINLESS
STEEL

2CP2200068****

SIDE STAND EXTENSION

KTM

ADVENTURE

250/390

2020-2021









2CP1970051****

CRASHBARS



2CP090051A****

ENGINE GUARD



2CP0900A51****

EXHAUST MANIFOLD PRO.

** Compatible with OEM Skid Plate*

KTM

790

Adventure

2019-2021



KTM

890 Adventure 2021



3.86_{kg}



25 mm



13
Aluminum

2CP1970051****

CRASHBARS



2.60_{kg}



4 mm



13
Aluminum

2CP090051A****

ENGINE GUARD



0.22_{kg}



2 mm



304
STAINLESS
STEEL

2CP0900A51****

EXHAUST MANIFOLD PRO.

* Compatible with OEM Skid Plate

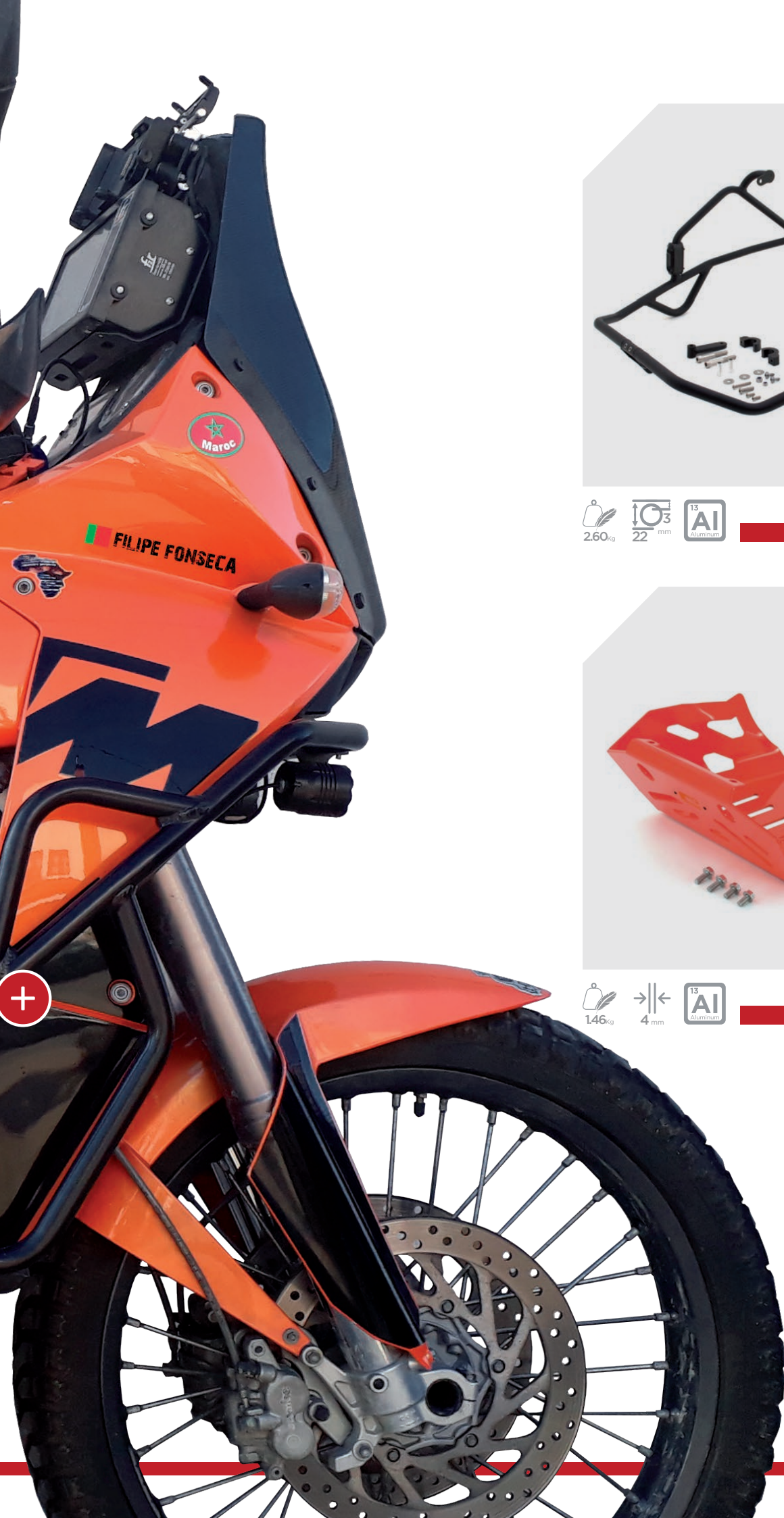
KTM

Adventure

950 2002-2006

990 2006-2012





2.60kg

22 mm

13 AI Aluminum

2CP1250013****

CRASHBARS



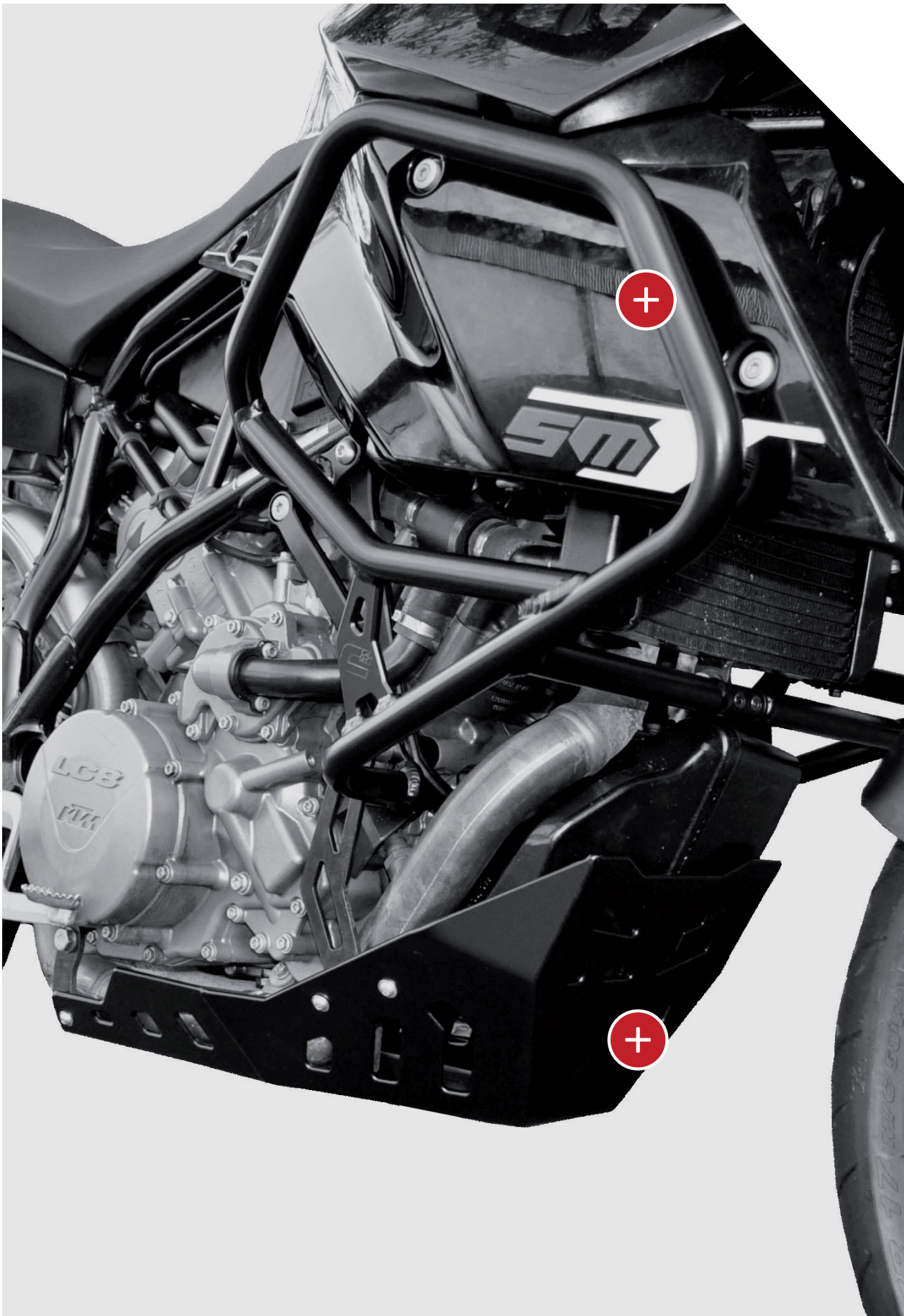
1.46kg

4 mm

13 AI Aluminum

2CP0900013****

ENGINE GUARD



KTM

LC8 990 SM-T

2011-2013



3.08kg

4 mm



2CP0900016****

ENGINE GUARD



2.40kg

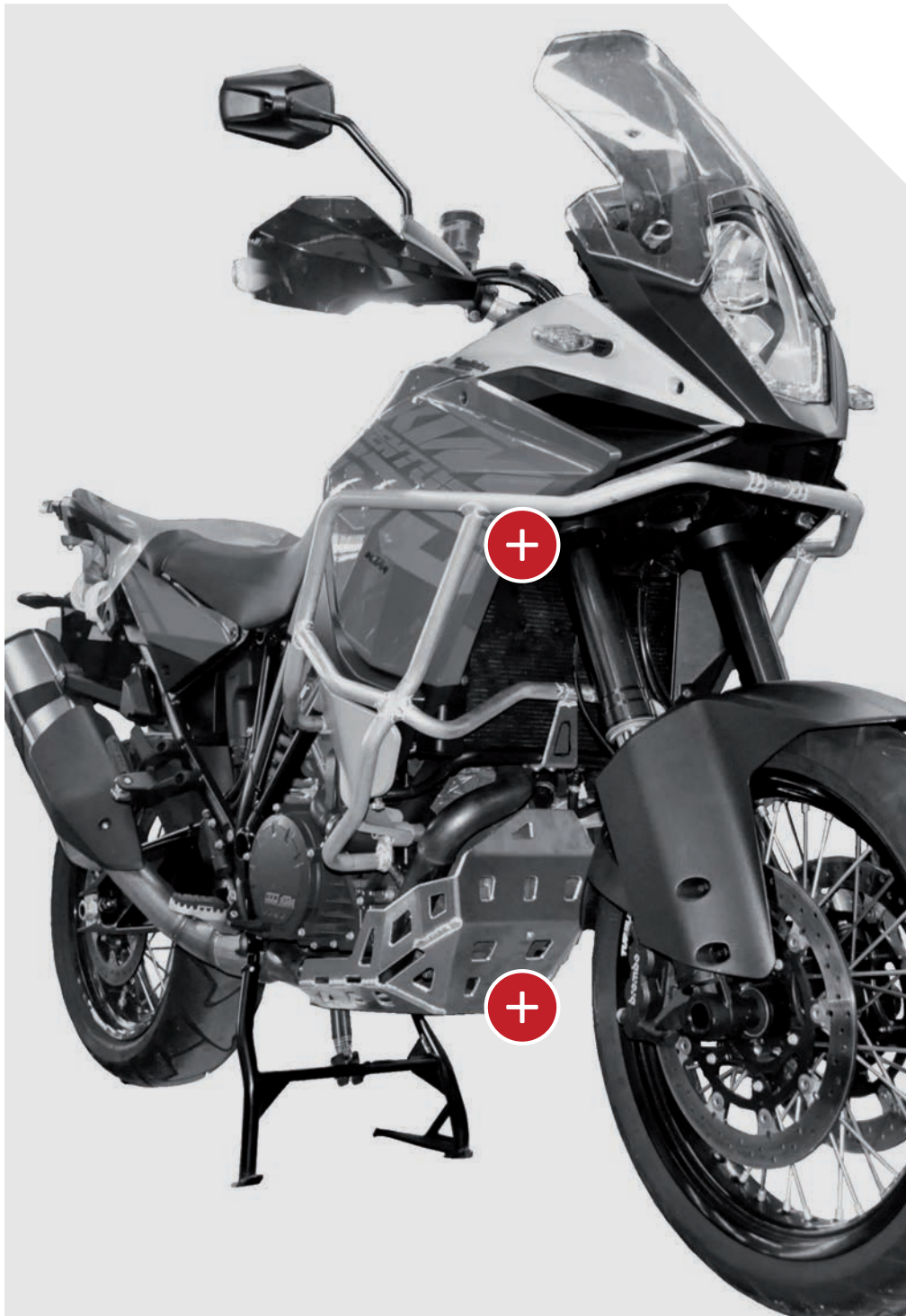
22 mm



2CP1250016****

CRASHBARS





1190 KTM

Adventure 2013-2016



268g

22 mm

AI
Aluminum

2CP1250022****

CRASHBARS



222g

4 mm

AI
Aluminum

2CP090022A****

ENGINE GUARD

1290 KTM Super Adventure 2015-2019





3.40g



25 mm



* 2017-2019 2CP1970034****

CRASHBARS



2.22g



4 mm



2CP090022A****

ENGINE GUARD



0.22g



2 mm



2CP2200068****

SIDE STAND EXTENSION



107

1290 KTM

Super Adventure

2020



3.40g



25 mm



2CP197034A****

CRASHBARS



2.22g



4 mm



2CP090022A****

ENGINE GUARD



0.22g



2 mm



2CP2200068****

SIDE STAND EXTENSION







1290 KTM Super Adventure 2021-2022



4.66kg
25 mm



2CP1970075****

CRASHBARS



3.78kg
4 mm



2CP0900075****

ENGINE GUARD



0.64kg
15 mm



2CP2270075****

RADIATOR GUARD



0.22kg
2 mm



2CP2200075****

SIDE STAND EXTENTION



SUZUKI DL 250 V-STROM 2018-2020



2CP1250032****

CRASHBARS





SUZUKI

DL 650

V-STROM

2008-2011



1.95kg



22 mm



2CP1250002****

CRASHBARS



1.86kg



4 mm



2CP0900002***

ENGINE GUARD





2.26kg



22 mm



2CP1250012****

CRASHBARS



2.10kg



4 mm



2CP0900012****

ENGINE GUARD



SUZUKI DL 650 V-STROM 2012-2016



SUZUKI

DL 650 V-STROM 2017-2022



2CP1970029****

CRASHBARS



2CP0900029****

ENGINE GUARD





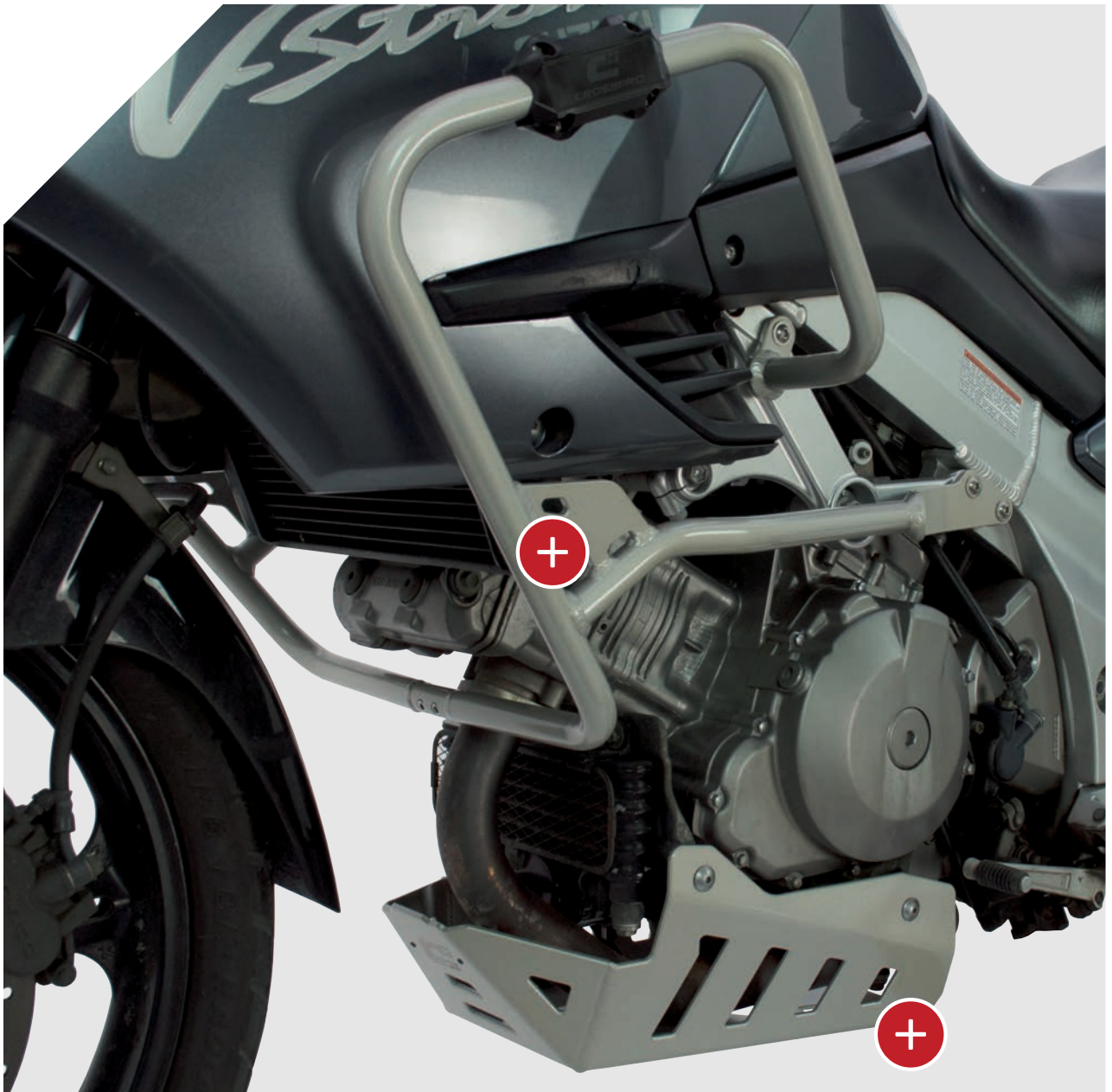
2CP1250006****

CRASHBARS



2CP0900006****

ENGINE GUARD



SUZUKI

DL 1000 V-STROM 2002-2013





SUZUKI

DL 1000 V-STROM 2014-2016



2CP1250017****

CRASHBARS



2CP0900017****

ENGINE GUARD





2CP1970028****

CRASHBARS



2CP090028A****

ENGINE GUARD

SUZUKI DL 1000 V-STROM 2017-2019





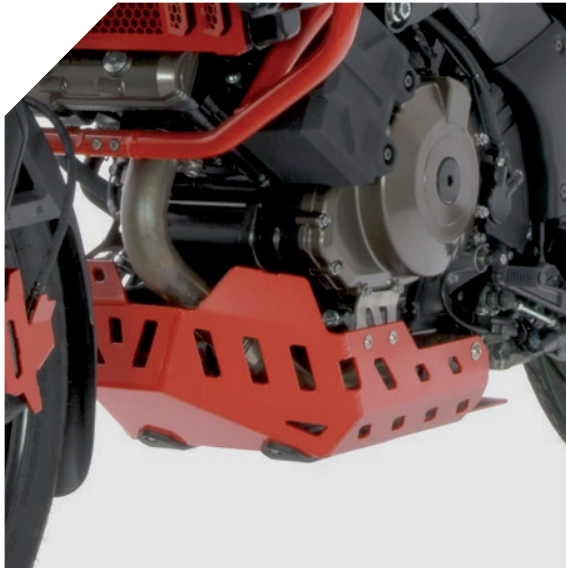
SUZUKI DL 1050 V-STROM 2020-2022



2CP1970065****

CRASHBARS

** Incompatible with OEM CrashBars*



2CP0900065****

ENGINE GUARD



2CP2140065****

BRAKE CALLIPER GUARD



2CP2270065****

RADIATOR GUARD



2CP2170065****

BRAKE CALLIPER GUARD



2CP1250020****

CRASHBARS

* Only 2011-2014



2CP090020A****

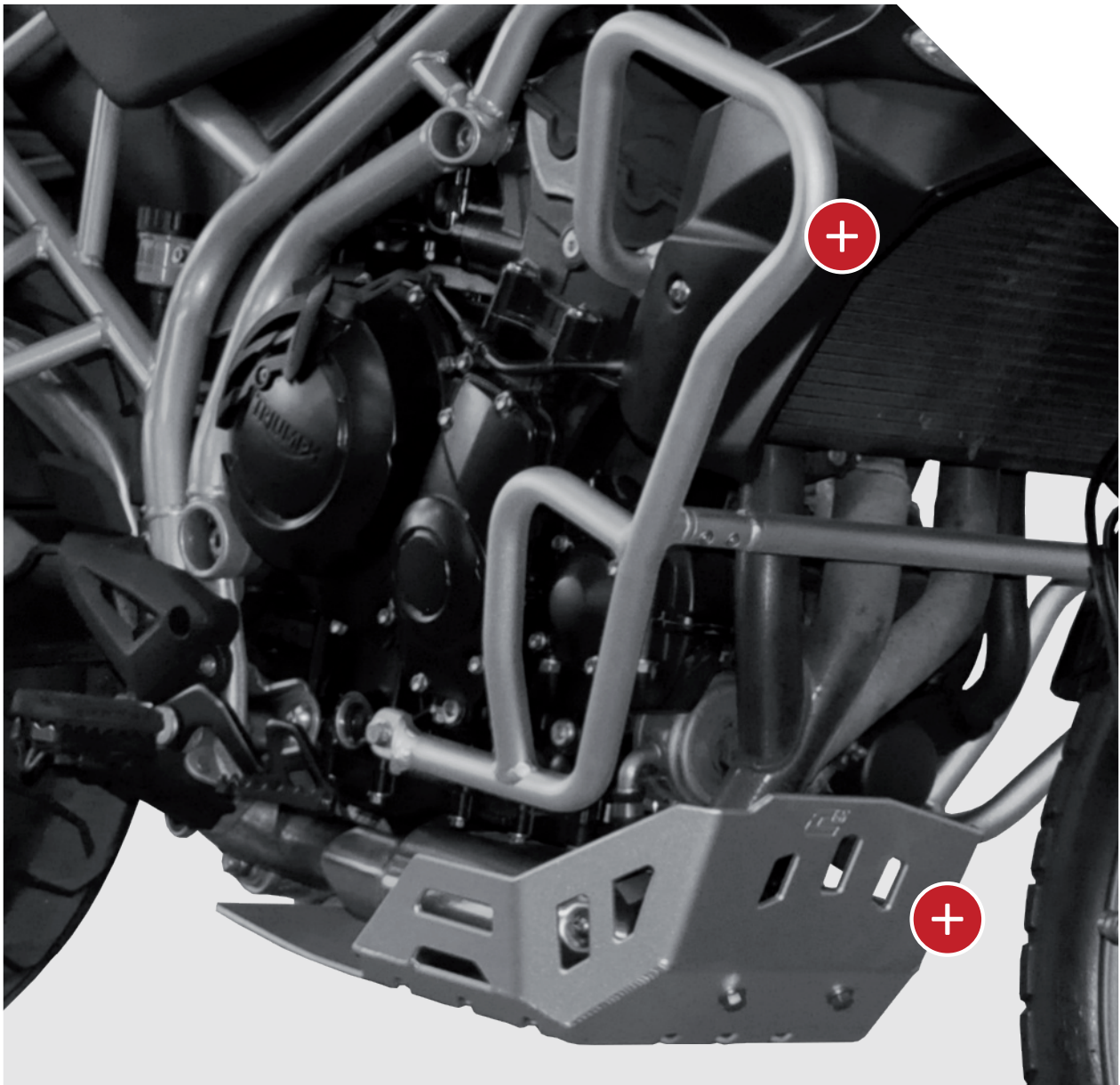
ENGINE GUARD



TRIUMPH TIGER 800

XC/XCX/XR

2011-2016





2.50kg

25 mm

13 AI
Aluminum

2CP1970048****

CRASHBARS



1.88kg

4 mm

13 AI
Aluminum

2CP0900048****

ENGINE GUARD



TRIUMPH

TIGER 1200 XC 2018-2019





YAMAHA

MT-07 2018-2020



1.08 kg

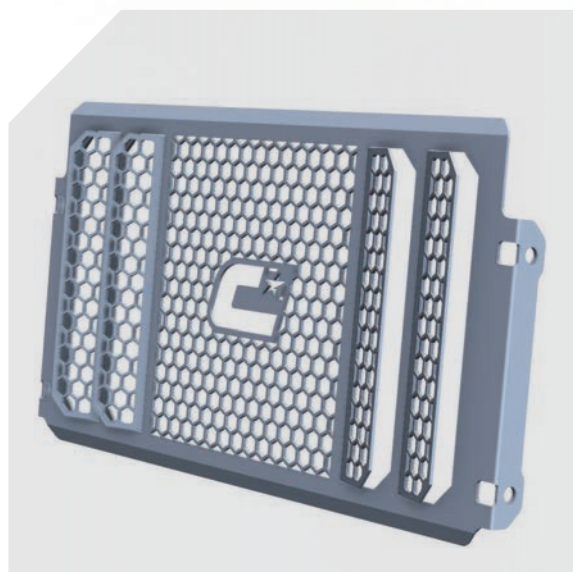


25 mm



2CP1970064****

CRASHBARS



0.64 kg



1.5 mm



2CP2270064****

RADIATOR GUARD





YAMAHA

TRACER 700

2020-2021



2CP1970067****

CRASHBARS





YAMAHA

MT-09 TRACER

900

2015-2017

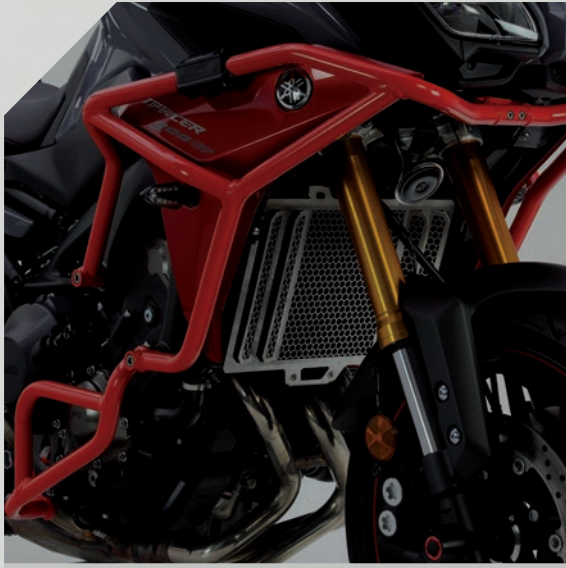


2CP1250025****

CRASHBARS







2CP1970070****

CRASHBARS



2CP2270070****

RADIATOR GUARD

YAMAHA

TRACER

900 / 900 GT

2018-2020



YAMAHA

TRACER 900/900GT

2021-2022



2CP0900077****

ENGINE GUARD



2CP1970077****

CRASHBARS



2CP2200077****

SIDE STAND EXTENTION



2CP2270077****

RADIATOR GUARD

YAMAHA

XTZ 660

TÉNÉRÉ

2008-2015





2CP1250007****

CRASHBARS



2CP0900007****

ENGINE GUARD



YAMAHA

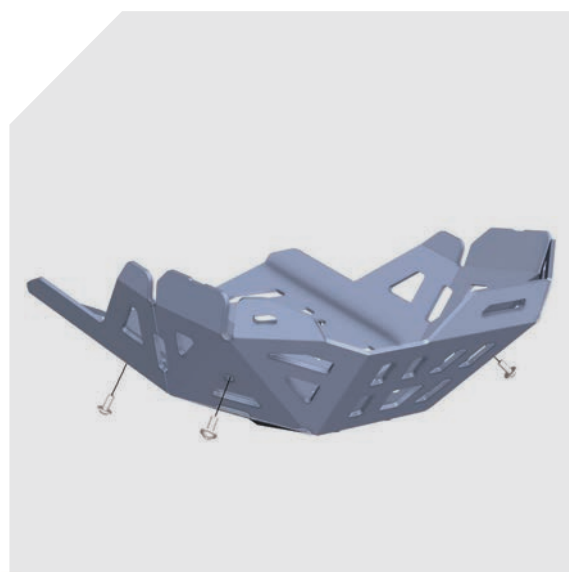
XTZ 700 TÉNÉRÉ

2020-2021



2CP197055A****

CRASHBARS



* EURO 4 2CP0900055****

* EURO 5 2CP0900072****



ENGINE GUARD

01

Luggage Rack

Optimise the stowage of your luggage on your Africa Twin! The luggage rack, made of 4mm thick aluminium, is precisely laser-machined and virtually doubles the usable surface area of the original Honda luggage rack. The surface of your rack has great optics, the shape adapts elegantly to the motorbike's design. Numerous recesses and slots for straps offer a variety of lashing options. The wide design even offers large pieces of luggage a firm hold. The rack can be fitted quickly and easily.

//2CP2220055

02

Brake Calliper Guard

Protects the callipers against damage
Made in Stainless Steel
Easy to install
Rust-proof with simple maintenance
Available in different colours

//2CP2170055

03

License Plate Support

Made of stainless steel
Easy to install
Simple maintenance
High strength
Available in multiple colors

//2CP2070055

04

Chain Guard Fin

This lower protection it's a combination of aluminium/stainless steel, secure your chain guard preventing branches and other objects from knocking the chain of the drive sprocket. The chain guard fin is stronger than the original plastic item! Existing fixation points can be used, which makes this chain guard easy to mount at your home. Available in different colours

//2CP2150055

05

Side Stand Base Extention

Combines stainless steel and aluminum increase the area of supporting the bike Gives more stability in different types of grounds when using the rest Easy to install Available in different colours

//2CP2200055

06

Head Light Protector

Stainless steel headlight protector was design to maximize the protection and at the same time beautify your motorcycle
Easy to install
Available in different colours

//2CP2210055

07

Chain Guard

We developed this protection in order to increase the security, it's more resistant than the original part, the chain guard combines stainless steel and aluminium yet is still relatively light
The mounting of the part is based on a "do it yourself" allowing a easy mounting and maintenance
This piece allows you to combine different colours

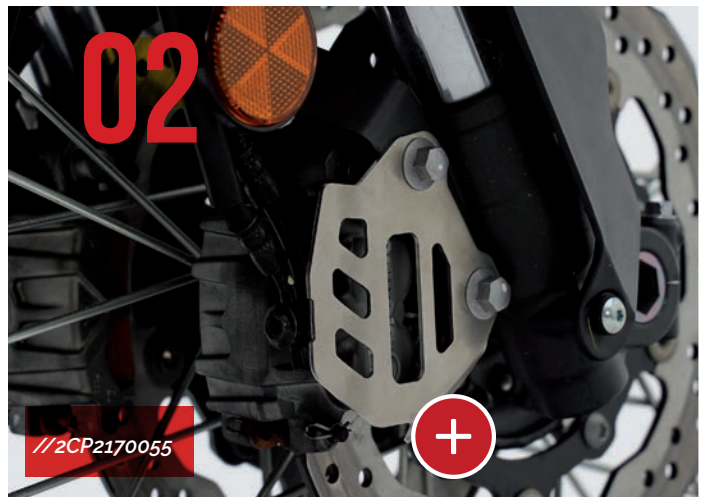
//2CP2140055

08

Rear Brake Fluid Reservoir Guard

Made from laser-cut stainless steel, the brake fluid reservoir guard effectively prevents damage and undesired access to the reservoir lid, yet allowing easily see the fluid level, controlling the necessary maintenance. The protection is mounted using the existing mounting point.
Available in different colours

//2CP2180055



YAMAHA

XTZ 700 TÉNÉRÉ 2020-2021 (EURO 4 ONLY)



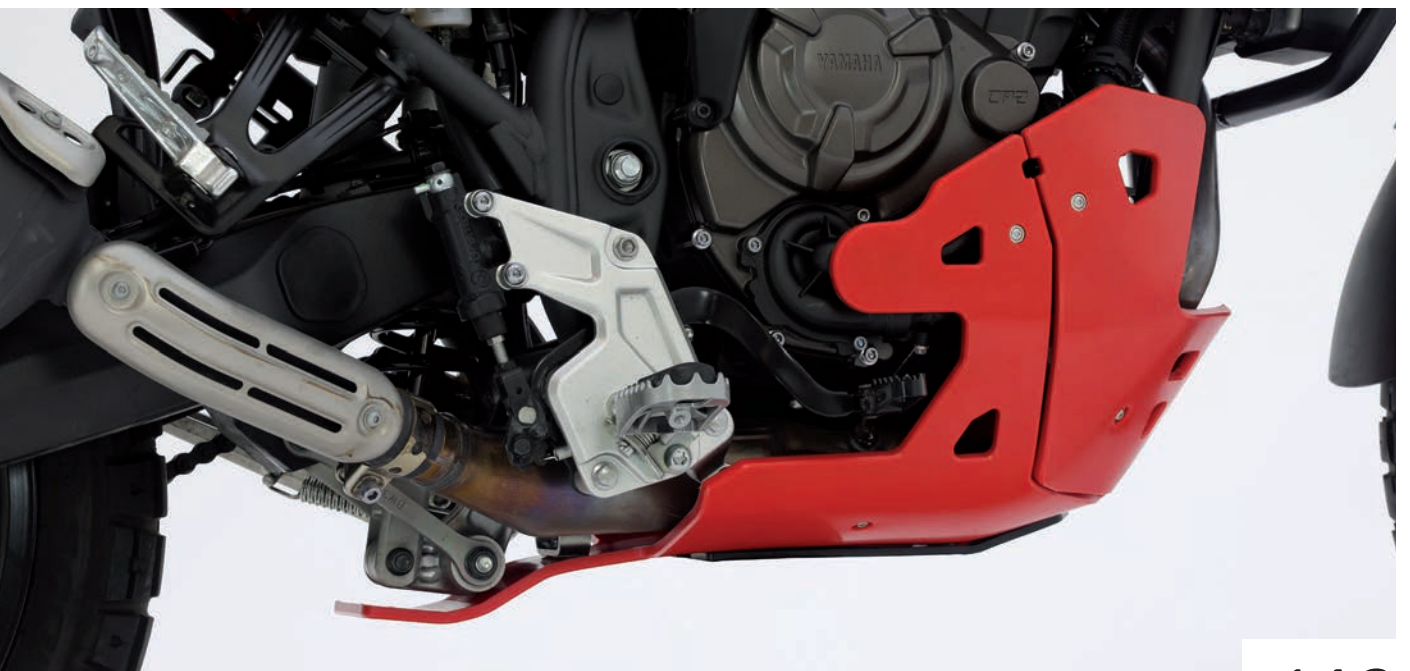
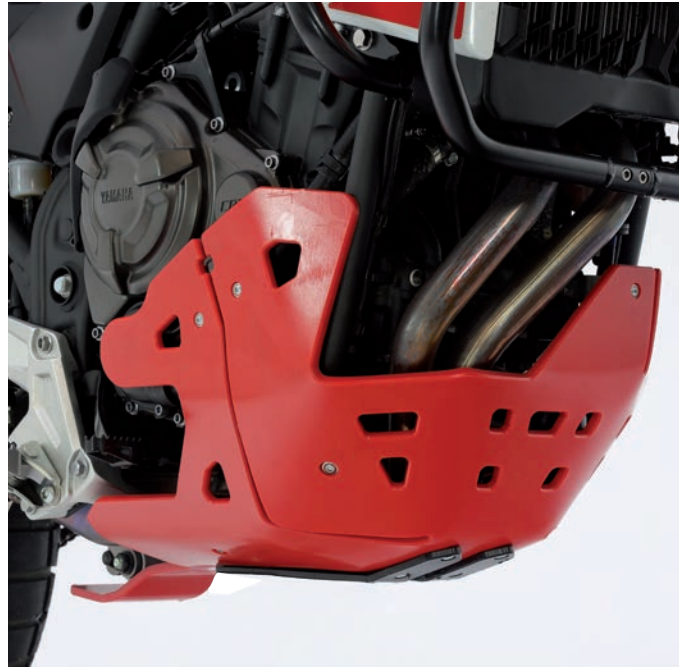
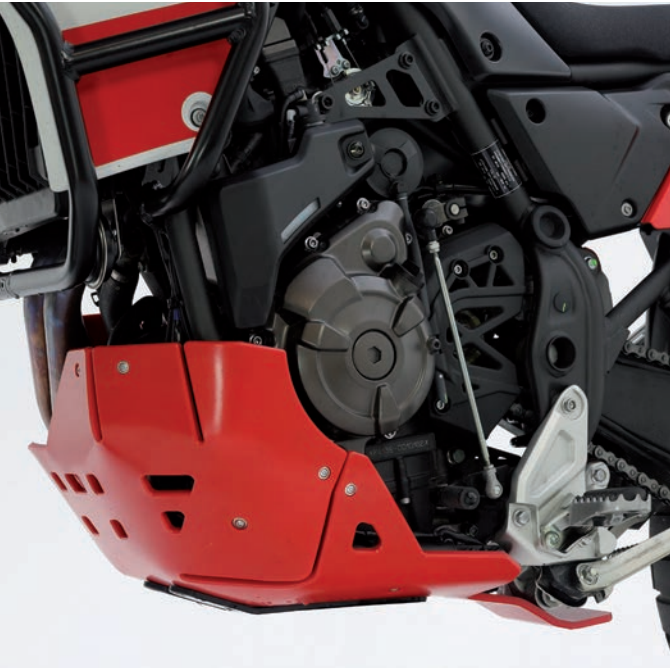
DTC Engine Guard (NOT compatible with EURO 5)

- Trail DTC Skidplate.
- Tested in hostile conditions, this skidplates offer the best protection for the engine and frame of your bike in hard tracks.
- Produced in best quality DTC with 8mm thickness without holds, they're 40% lighth comparing with aluminum. They're more resistentes to impact and causo no vibrations.
- Reinforced with 6mm stripes bellow to overcome easilly obstacles.
- Available in different colors (Blue, Red and Black).

//2CP12400550300 - Black Color

//2CP12400550400 - Blue Color

//2CP12400550500 - Red Color





2CP0900019****

ENGINE GUARD



2CP1250019****

CRASHBARS

YAMAHA

**XTZ 1200
SUPER TÉNÉRÉ
2010-2014**





@GRDuarte



Europe

- Áustria
- Belgium
- Cyprus
- Czech Republic
- Denmark
- Finland
- France
- Germany
- Greece
- Holland
- Hungary
- Italy
- Latvia
- Lithuania
- Norway
- Poland
- Portugal
- Romania
- Slovakia
- Slovenia
- Spain
- Sweden
- Switzerland
- United Kingdom

Asia

- Dubai
- Iran
- Israel
- Japan
- Kwait
- Malaysia
- Philippines
- Russia
- Singapore
- Thailand
- Turkey

AMERICA

- Argentina
- Canada
- Chile
- USA
- Mexico

OCEANIA

- Australia
- New Zealand

AFRICA

- South Africa
- Morocco

CROSSPRO AROUND THE WORLD



A exigência do consumidor, a facilidade com que o mesmo tem acesso à informação obriga a uma constante procura por produtos inovadores assim como pela excelência por parte da CROSSPRO.

Antevendo todas as exigências a que o mercado obriga, assim como os desafios vislumbrados, a CROSSPRO ao longo da sua existência aumentou a sua gama de produtos, levando a uma presença em mais de 40 países. A internacionalização exponenciou as exportações, representando estas cerca de 95% da produção atual da CROSSPRO.

Made by CROSSPRO

The consumer demand, the ease with which it has access to information force a constant search for innovative products as well as excellence by CROSSPRO.

Anticipating all the demands of the market, as well as the challenges envisioned, CROSSPRO has increased its product range throughout its existence, leading to a presence in more than 40 countries. Internationalization expounded exports, accounting for about 95% of CROSSPRO's current production.

Made by CROSSPRO

**We have 9
different colors
for your guards!**

electrostatic paint process

A pintura é realizada através da lacagem, que consiste num processo de pintura eletrostático executado com tintas em pó.

Este processo bem como o tratamento a que as peças são sujeitas, reforça a protecção anticorrosiva e maximiza a adesão e duração da tinta.

No nosso processo de lacagem dispomos de 9 cores diferentes para as suas protecções. Um processo simples, eficaz e resistente

Painting is done through lacquering, which is an electrostatic painting process performed with powder paints.

In the lacquering process, the guards can acquire different colors, we have 9 different colors for your guards.

This process as well as the treatment to which the parts are subjected, reinforces the corrosion protection and maximizes the adhesion and duration of the paint and initial color.

A simple, effective and resistant process



Black
ral: 9005



Textured Black
ral: 9005 text



White
ral: 9110



Red
ral: 3020



Green
ral: 6018



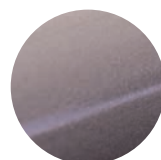
Blue
ral: 5002



Yellow
ral: 1021



Orange
ral: 2004



Ice Polish Protected
varnish color



“Painting is done through lacquering, which is an electrostatic painting process performed with powder paints.”

CROSSPRO
PROTECTION PARTS

Zona Industrial do Paraimo, Lote 45
3780-524 - Sangalhos | Anadia | Portugal

Gps: 40°28'31.0"N 8°28'39.5"W

Phone: +351 234 629 044
www.crosspro.pt
E-mail: geral@crosspro.pt

2CPCATDS22



Management
System
ISO 9001:2015



www.tuv.com
ID 9105077726