



**rizoma**

N° MODIFICA  
N° CHANGE:

MXXXXX

PART NUMBER:

**FR111**

NAME:

Indicatore di direzione "CORSA L"  
*Turn signal "CORSA L"*

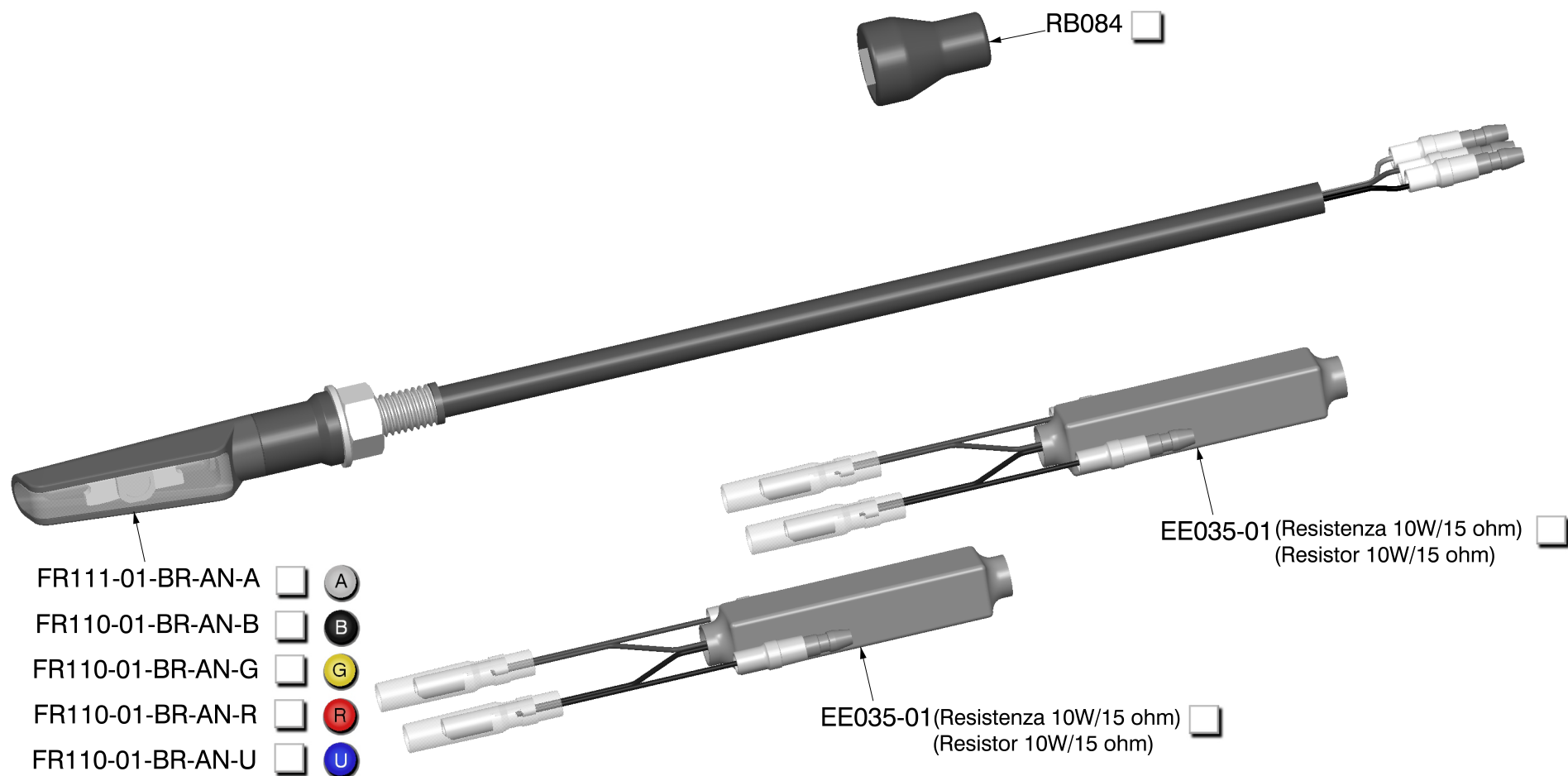
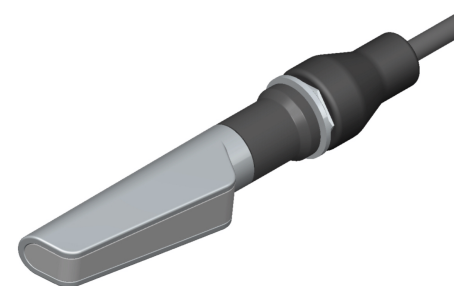
DATA MODIFICA  
CHANGE DATE:

XX-XX-XXXX

SPARE PARTS - RICAMBI CLIENTE - ERSATZTEILE  
PIEZAS DE REPUESTO - PECAS SOBRESSALENTES

RV:

00



- FR111-01-BR-AN-A  A
- FR110-01-BR-AN-B  B
- FR110-01-BR-AN-G  G
- FR110-01-BR-AN-R  R
- FR110-01-BR-AN-U  U

EE035-01 (Resistenza 10W/15 ohm)   
(Resistor 10W/15 ohm)

EE035-01 (Resistenza 10W/15 ohm)   
(Resistor 10W/15 ohm)