



YOSHIMURA

RESEARCH & DEVELOPMENT OF AMERICA, INC.

5420 DANIELS STREET STE A, CHINO CA., 91710 · (800) 634-9166 · (909) 628-4722 · FAX (909) 591-2198

www.yoshimura-rd.com

Street Series

Qualified Manufacturer Declared "Replacement Part"

2007-2016

Suzuki GSF1250 Bandit

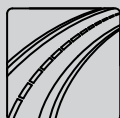
2011

Suzuki GSX1250FA

1126262 (CF/SS)

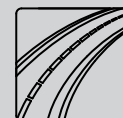
1126267 (Ti/SS)

TRS Stainless Steel Slip-On



All Street Series systems are:

- Slip-on/Bolt-on applications that do not require tampering with the vehicle's emissions control system.
- CARB/EPA tail-pipe emissions compliant.
- Marked with appropriate EPA noise labels.
- Not tested for EPA new vehicle noise compliance.



You must know how to remove and replace your stock exhaust in order to install this product otherwise have it installed by a professional mechanic. Keep all stock parts from your existing system as some components may be necessary to install your new Yoshimura exhaust depending on the application. Read through all instructions before beginning installation. Exhaust system can be extremely hot. Let motorcycle cool down before beginning installation. Always wear hand and eye protection and take precautionary measures to avoid injury.



NOTE: IN THE STATE OF CALIFORNIA, IT IS ILLEGAL TO MODIFY THE EMISSION CONTROL SYSTEM, WHICH INCLUDES THE CARBURETORS OF ANY VEHICLE.

Caution: Exhaust system can be extremely hot. Let motorcycle cool down before beginning installation.

Note: Read through all instructions before beginning installation.

Tools Needed:

Metric Socket Set
Ratchet and Extension
Metric Combination Wrench Set
Metric Allen Wrench Set
Torque Wrench

Installation Steps:

1 Loosen stock collector clamp (see Fig. 1). Remove rubber centerstand stopper from stock tailpipe and install onto Yoshimura tailpipe (see Fig. 2).

2 Unbolt and remove stock muffler and exhaust gasket (see Fig. 3).

NOTE: No exhaust gasket will be used between the stock header and Yoshimura tailpipe.

3 Install rubber heat insulator to inside of Yoshimura muffler clamp and slide muffler clamp over Yoshimura muffler.

4 Slide exhaust collector clamp over the inlet of the Yoshimura tailpipe and install Yoshimura tailpipe and muffler onto the stock header.

5 Bolt muffler to the right stock muffler mount location using stock muffler mount hardware.

6 Torque muffler and mount bolt to 2.3 kgf-m (16.5 lb-ft).

7 Standing at the back of the motorcycle, check for proper alignment of the muffler. Adjust if necessary.

NOTE: To adjust fitment, it may be necessary to rotate the tailpipe or the muffler independently until proper alignment of the muffler is achieved.

NOTE: You will be installing a securing rivet into the tailpipe to prevent the tailpipe from rotating while the motorcycle is in operation.

8 Drill a 13/64" hole thru the securing hole of the tailpipe and into the stock header using the securing hole as a guide.

CAUTION: Always wear eye protection when using any power tools.

9 Insert securing rivet into drilled hole, slide supplied stainless steel collector clamp over rivet and torque clamp to 1.25 kg-m (9 lb-ft).

10 It is recommended that the muffler and tailpipe be wiped down with rubbing alcohol to remove oil and fingerprints. This will help prevent tarnishing of the finish after the exhaust is heated up.

11 Check for proper clearance between new exhaust system and motorcycle. (i.e. Swing-arm, body work, etc.) If any problem is found, please carefully follow through the installation steps again. If problem still persists, please call Yoshimura technical department at (800)634-9166 / in CA (909)628-4722.

Note: After starting motorcycle, it is normal for new exhaust system and muffler to smoke until oil residue burns off.



Fig. 1

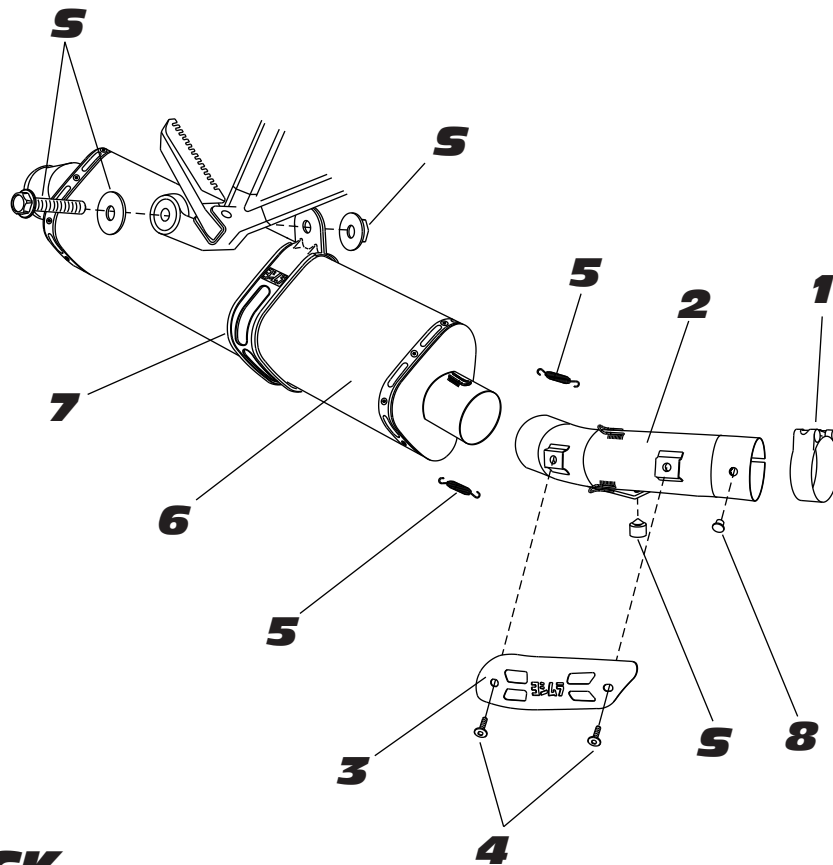


Fig. 2



Fig. 3

#112625(2,5,7) / #112626(2,5,7)



S = STOCK

Parts Diagram

NO.	DESCRIPTION	QTY	PART #
1	Tailpipe Clamp	1	20063
2	Yoshimura Tailpipe	1	1126-435
3	Yoshimura Tailpipe Heatshield	1	1126-HS
4	Heatshield Mounting Bolts	2	RC116HSB
5	Medium Race Spring	2	RACE-SPS-1
6	Yoshimura Muffler	1	
	RS3 with Carbon Fiber Sleeve		CRRS3186W
	RS3 with Stainless Steel Sleeve		SRRS3186W
	RS3 with Titanium Sleeve		TRR77186W
	TRS with Carbon Fiber Sleeve use		CRTRS186W
	TRS with Stainless Steel Sleeve use		SRTRS186W
	TRS with Titanium Sleeve use		TRTRS186W
7	Stainless Steel Muffler Clamp	1	
	RS3 with Carbon Fiber Sleeve use		COS450S8AL
	RS3 with Stainless or Titanium Sleeve use		COS450S8ALX
	TRS with Carbon Fiber Sleeve use		CTS082
	TRS with Stainless Steel or Titanium Sleeve use		CTS082X
8	Securing Rivet	1	S-RIVET
**	Muffler Clamp Heat Insulator	1	HT SHLDTRS
**	Spring Puller Tool	1	ST-200
**	TRS Insert Kit	1	TRS-INS-BK RS3-INS-K
**	Yoshimura Vinyl Sticker	1	17029