



YOSHIMURA

RESEARCH & DEVELOPMENT OF AMERICA, INC.

5420 DANIELS STREET STE A, CHINO CA., 91710 · (800) 634-9166 · (909) 628-4722 · FAX (909) 591-2198

www.yoshimura-rd.com

Signature Series

Qualified Manufacturer Declared "Replacement Part"

2018~2019

Honda CRF250R

22843BR520 (SS/SS)

RS-9 Taper Slip-On System



Signature Series systems are:

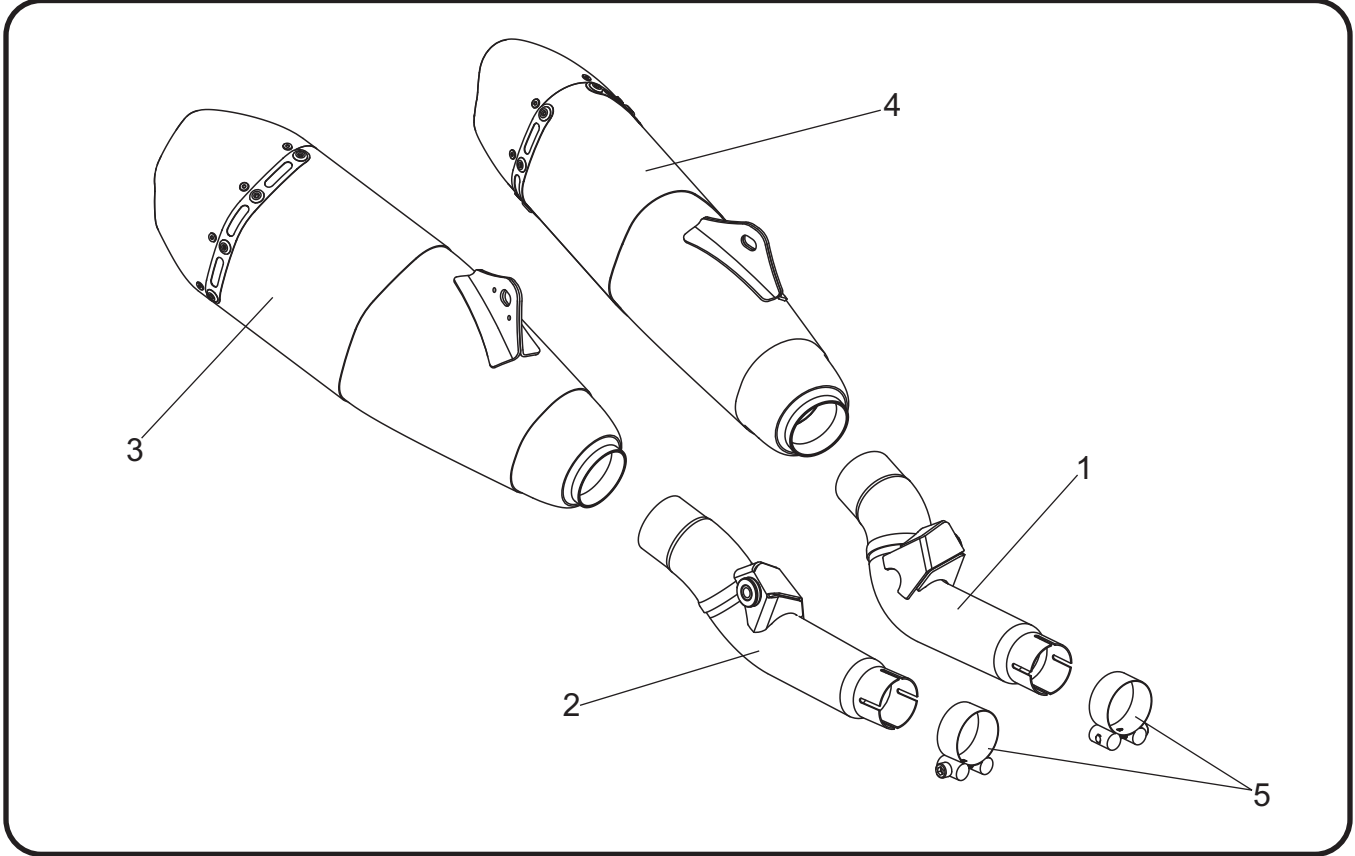
- CARB/EPA tail-pipe emissions compliant.
- Marked with appropriate EPA noise labels.
- Independent laboratory tested for EPA new vehicle noise compliance.



✘ You must know how to remove and replace your stock exhaust in order to install this product otherwise have it installed by a professional mechanic. Keep all stock parts from your existing system as some components may be necessary to install your new Yoshimura exhaust depending on the application. Read through all instructions before beginning installation. Exhaust system can be extremely hot. Let motorcycle cool down before beginning installation. Always wear hand and eye protection and take precautionary measures to avoid injury. ✘

NOTE: IN THE STATE OF CALIFORNIA, IT IS ILLEGAL TO MODIFY THE EMISSION CONTROL SYSTEM, WHICH INCLUDES THE CARBURETORS OF ANY VEHICLE.

Assembly Diagram



No.	Item	Description	Qty.
1	22843-151	Yoshimura Tailpipe, Left	1
2	22843-152	Yoshimura Tailpipe, Right	1
3	22843AR520-RMA	Yoshimura Muffler Assembly, Right	1
4	22843AR520-LMA	Yoshimura Muffler Assembly, Left	1
5	27-54MSH	Exhaust Clamp	2
**	05747076	3mm Hex Key	1
**	17029	Sticker Kit Sheet	1

** Not shown in diagram.

CAUTION: Exhaust system can be extremely hot. Let motorcycle cool down before beginning installation. Always wear hand and eye protection and take precautionary measures to avoid injury.

WARNING: Always properly support vehicle with a stand and/or lift when servicing or performing any work. Unstable vehicles may present dangerous conditions and may cause property damage and/or personal injury.

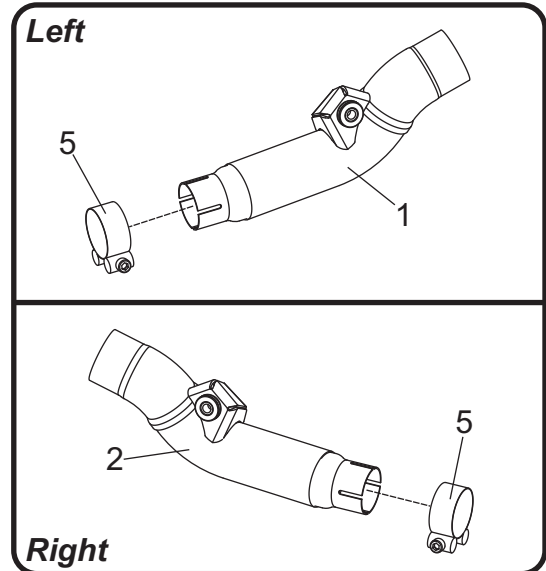
NOTE: Read through all instructions before beginning installation.

Removal

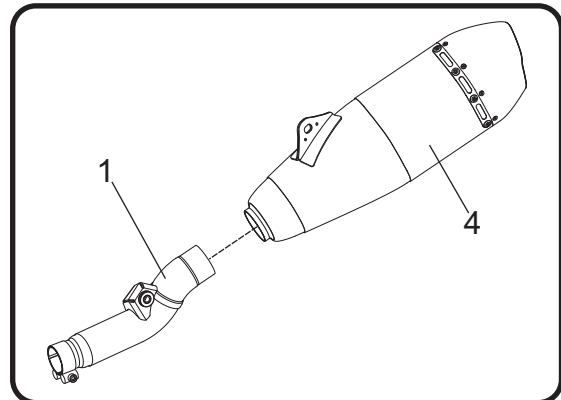
1. Remove the left and right side panels.
2. Loosen the left and right muffler exhaust clamps.
3. While securely supporting the left muffler assembly, remove the left side muffler chassis mount bolt and muffler mount bolt. Carefully remove the stock muffler assembly by sliding toward the rear.
4. While securely supporting the right muffler assembly, remove the right side muffler chassis mount bolt and muffler mount bolt. Carefully remove the stock muffler assembly by sliding toward the rear.
5. The stock muffler exhaust gaskets will not be used with the Yoshimura slip-on system. Remove from header before proceeding with installation steps.

Installation

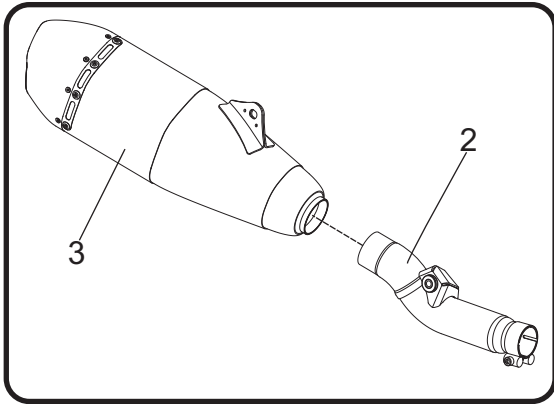
1. Slide (No. 5) 27-54MSH, exhaust clamps over (No. 1,2) 22843-151/152, left and right tailpipe inlet.



2. Install (No. 1) 22843-151, left tailpipe onto left header outlet. Align tailpipe chassis mount to chassis and secure using the stock bolt. Do not torque at this time.
3. Install (No. 4) 22843AR520-LMA, left muffler onto (No. 1) 22843-151, left tailpipe and align muffler bracket to muffler mount. Secure using the stock muffler mount bolt. Torque to factory specification.



4. Torque left tailpipe chassis mount bolt to factory specification.
5. Install (No. 2) 22843-152, right tailpipe onto right header outlet. Align tailpipe chassis mount to chassis and secure using the stock bolt. Do not torque at this time.
6. Install (No. 3) 22843AR520-RMA, right muffler onto (No. 2) 22843-152, left tailpipe and align muffler bracket to muffler mount. Secure using the stock muffler mount bolt. Torque to factory specification.



7. Torque right tailpipe chassis mount bolt to factory specification.
8. Torque (No. 5) 27-54MSH, exhaust clamps to 8.5 Nm (0.86 kg-m, 6 ft-lb).
9. Re-install left and right side panels following the opposite steps of removal.
10. Before starting motorcycle, check for proper clearance between new exhaust system and rear suspension (i.e. tire, swingarm, brakes, rear shock, and etc.) If any problem is found, please carefully follow through the installation steps again. If problem still persists, please call Yoshimura Tech Department at (800) 634-9166 / in CA (909) 628-4722.
11. It is recommended that the muffler and tailpipe be wiped down with rubbing alcohol to remove oil and fingerprints. This will help prevent tarnishing of the finish after the exhaust is heated up.

Note: After starting motorcycle, it is normal for new exhaust system and muffler to emit smoke until oil residue burns off.