

HYPERPRO

LOWERING KIT / VERLAGINGSSET

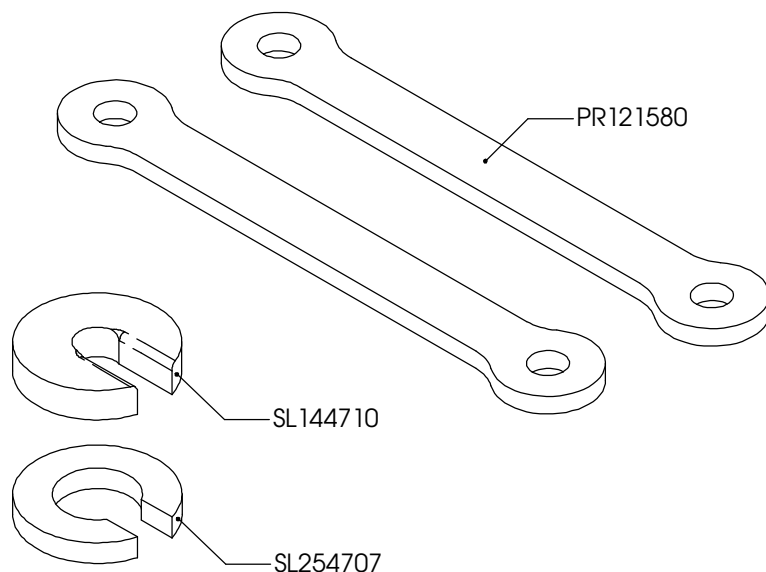
for

SUZUKI DL 650 V-STROM Models '04>

LK-SU06-014-50 PART LIST

PR121580 - Pull rod/ trekstang	2
SL144710 - Stroke limiter/ slagbeperker	1
SL254707 - Stroke limiter/ slagbeperker	1
-	-

ALL IDEAS, DESIGNS, ARRANGEMENTS AND PLANS INDICATED OR REPRESENTED BY THIS DRAWING ARE OWNED BY HYPERPRO AND WERE CREATED, EVOLVED AND DEVELOPED FOR USE ON AND IN CONNECTION WITH THE SPECIFIC PROJECT. NONE SUCH IDEAS, DESIGNS, ARRANGEMENTS OR PLANS SHALL BE USED BY OR DISCLOSED TO ANY PERSON, FIRM OR CORPORATION FOR ANY PURPOSE WHATSOEVER WITHOUT THE WRITTEN PERMISSION OF HYPERPRO.



Inbouw handleiding

VOORZIJD

De vorkpoten maximaal 20 mm door de bovenste kroonplaat heen steken.

ACHTERZIJD

De bestaande trekstangen vervangen door de HYPERPRO trekstangen.
De slagbepers onder het aanslagrubber van de achterschokbreker plaatsen.
Het achterwiel eerst belasten voordat de link vastgezet word.

LET OP! DE LENGTE VAN DE ZIJSTANDAARD MOET 30-35mm INGEKORT WORDEN.
AFTERMARKET ACHTERSPATBORDEN KUNNEN NIET MEER WORDEN TOEGEPAST.
VERWIJDER DE MIDDENBOK.

Instruction manual

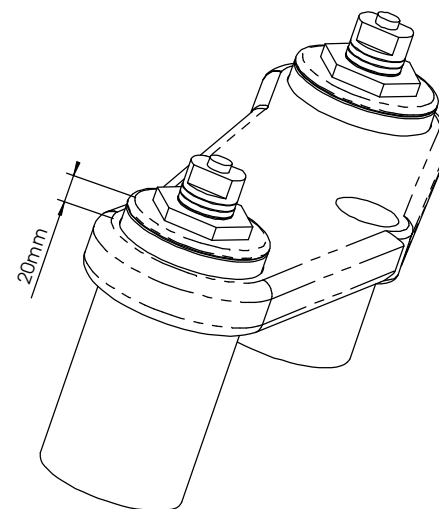
FRONT

Mount the fork legs max 20 mm through the triple clamp.

REAR

Replace the original pull rods by the HYPERPRO lowering pull rods.
Put the stroke limiters under the bump rubber of the rear shock.
Put some pressure on the rear wheel before tightening the link.

WARNING! SHORTEN THE SIDE-STAND 30-35mm. REMOVE CENTER STAND.
AFTERMARKET REAR MUDGUARDS CAN NO LONGER BEEN USED.



See WWW.HYPERPRO.COM for more info about our products.