

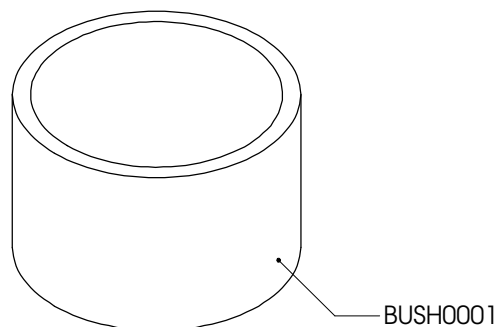
HYPERPRO

LOWERING KIT / VERLAGINGSSET for YAMAHA TDM 850 Models '91>

LK-YA08-001-40 PART LIST

BUSH0001 - Spring preload bush/ Veervoorspanbus	1
-	-
-	-
-	-

ALL IDEAS, DESIGNS, ARRANGEMENTS AND PLANS INDICATED OR REPRESENTED BY THIS DRAWING ARE OWNED BY HYPERPRO AND WERE CREATED, EVOLVED AND DEVELOPED FOR USE ON AND IN CONNECTION WITH THE SPECIFIC PROJECT. NONE SUCH IDEAS, DESIGNS, ARRANGEMENTS OR PLANS SHALL BE USED BY OR DISCLOSED TO ANY PERSON, FIRM OR CORPORATION FOR ANY PURPOSE WHATSOEVER WITHOUT THE WRITTEN PERMISSION OF HYPERPRO.



Inbouw handleiding

VOORZIJDE

De vorkpoten maximaal 20 mm door de bovenste kroonplaat heen steken.
De veervoorspanning minimaal zetten (tegen de klok in draaien)
De luchtkamer reduceren als de vork wil doorslaan.

ACHTERZIJDE

De originele korte veer en het blokkeer mechanisme vervangen door de HYPERPRO verlagingsbus. Zet 1 tot 2 mm voorspanning op de veer.

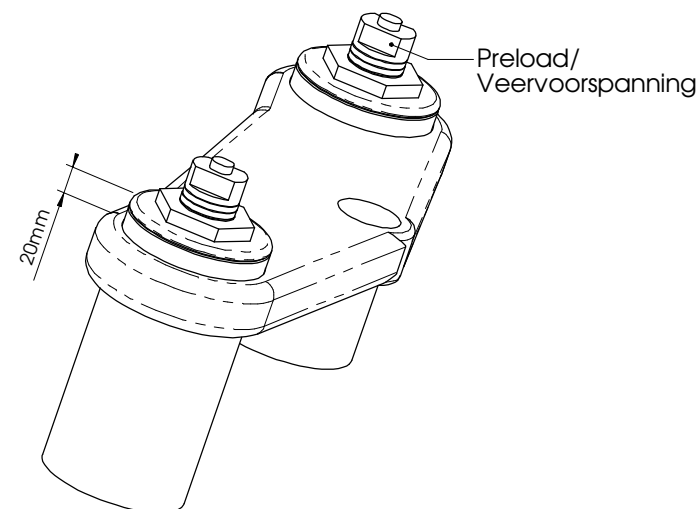
Instruction manual

FRONT

Mount the fork legs max 20mm through the triple clamp.
Turn the preload adjuster to the minimum preload (counter clockwise)
Reduce the air chamber if the fork hits the end of its stroke.

REAR

Replace the original short spring and blocking mechanism by the HYPERPRO preload bush. Put 1 to 2mm preload on the spring.



See WWW.HYPERPRO.COM for more info about our products.