

RAPID
BIKERACING

RAPID
BIKEEVO

HONDA CBR 1000 RR 08-18
HONDA CBR 1000 RR SP 17-18

INSTALLATION INSTRUCTIONS



Attention: For a correct RB feeding voltage, check the operation of all motorbike electrical system components (lights, fuse, stock connectors, etc.).

1. Turn off the engine. Remove the seats and the fuel tank.

Lower injectors section

2. Locate and disconnect the four two way connectors of the lower injectors (**Fig.1**).

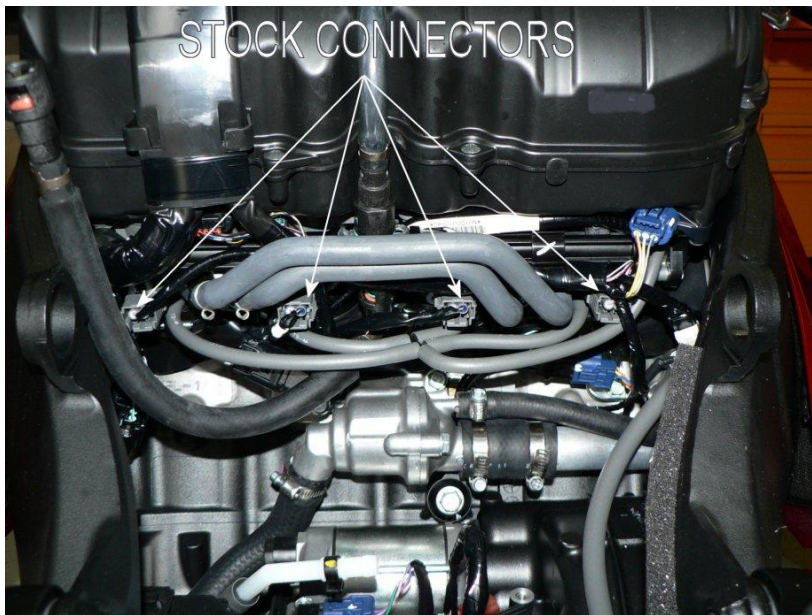


Fig.1

3. Plug the Rapid Bike connectors in-line of the stock injectors and stock wiring harness (**Fig.2**). Follow this order:
 - red/green wire – Injector one (first injector on the left)
 - white/black wire – Injector 2
 - blue wire – Injector 3
 - white wire – Injector 4 (last injector on the right)



Fig.2

Upper injectors section

4. Locate and disconnect the four two way connectors of the upper injectors, placed on top of the air-box (**Fig.3**).

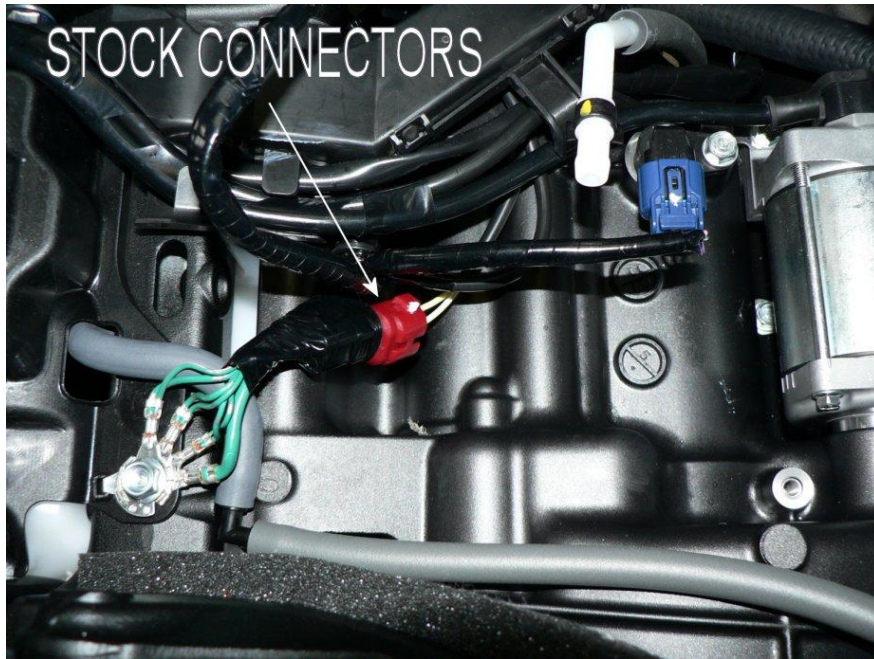
**Fig.3**

5. Connect the Rapid Bike connectors to the stock ones (**Fig.4**), following this order:
 - blue/black wire – Injector 5 (first injector on the left)
 - yellow/black wire – Injector 6
 - grey/black wire – Injector 7
 - pink/black wire – Injector 8 (last injector on the right)

**Fig.4**

Crankshaft sensor section

6. MY 08-16: Disconnect the 2 pin red connector located under the fuel tank (**Fig.5a**).
MY 17-: Disconnect the 2 pin red connector located on the left side into a rubber boot near the engine shift shaft arm (**Fig.5b**).

**Fig.5a****Fig.5b**

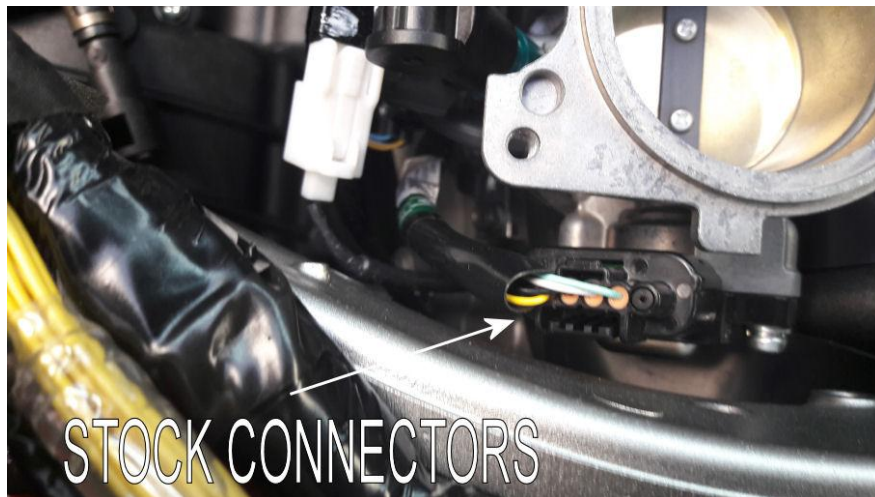
7. Connect the grey connectors of the Rapid Bike harness in-line with the stock connectors (**Fig.6**).

**Fig.6**

T.P.S. section

8. MY08-11: locate the 6 pin black connector (**Fig.7**).
MY12-16: locate the 3 pin blue connector on the right side of the throttle body
MY 2017: locate the 6 pin black connector, with 4 wires, on the right side of the throttle body (removing the airbox helps accessing the connector) (**Fig.8**)

**Fig.7**

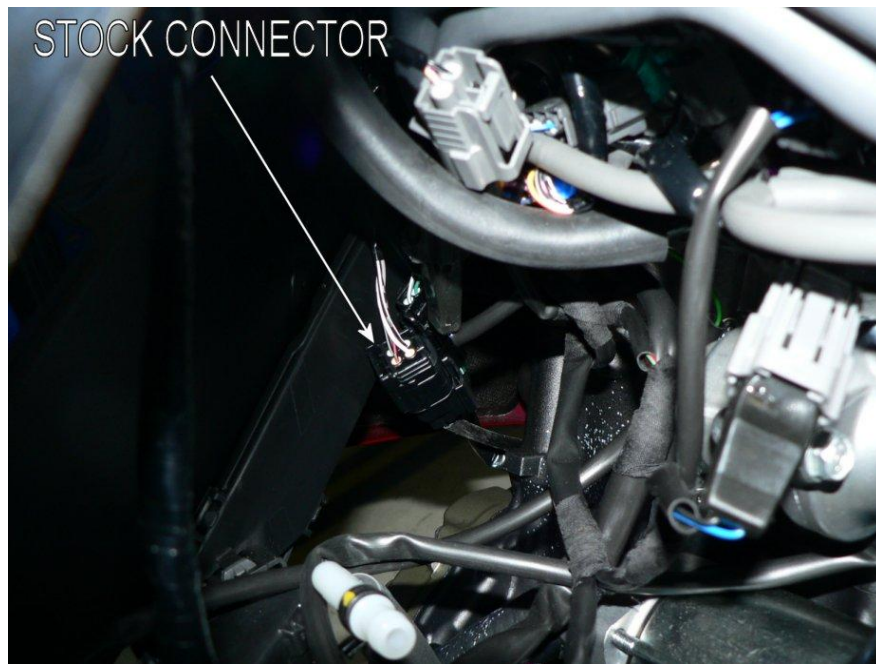
**Fig.8**

9. MY08-11: connect the green wire from the Rapid Bike wiring to the blue wire with yellow stripe of the stock connectors by means of the supplied wire tap (**Fig.9**).
MY12-16: connect the green wire from the Rapid Bike wiring to the to the blue wire with yellow stripe place in central position on the stock connectors by means of the supplied wire tap.
MY 2017: connect the green wire from the Rapid Bike wiring to the black wire of the stock connectors by means of the supplied wire tap.

**Fig.9**

O2 sensor section

10. Locate and disconnect the black four way connector (**Fig.10**).

**Fig.10**

11. Connect the Rapid Bike connectors marked as **O2 SENSOR** in-line with the stock harness.

Gear position sensor section
**** MODEL YEAR 2017 ONLY ****

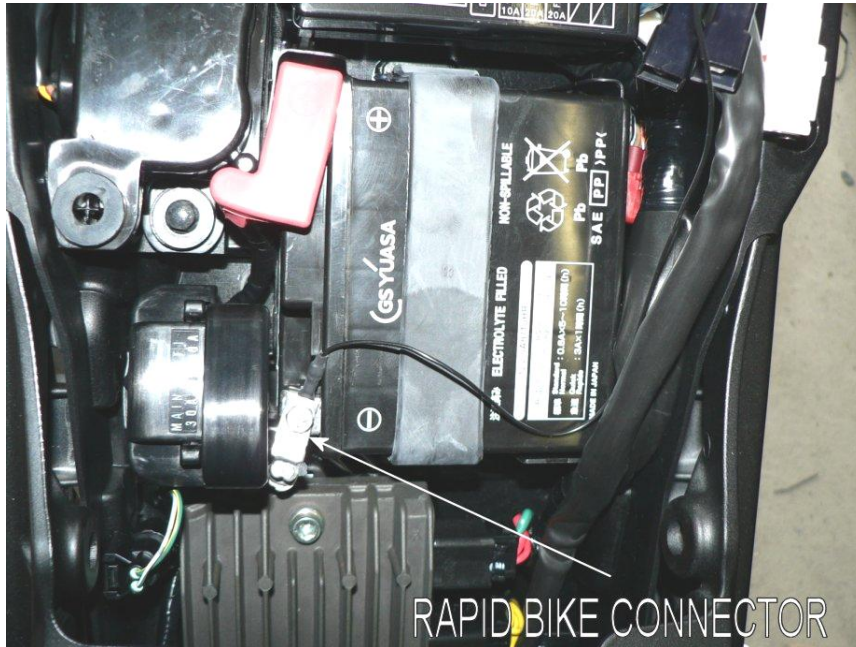
12. Locate and disconnect the black four way connector placed into a rubber cap under the fuel tank (**Fig.11**).

**Fig.11**

13. Connect Rapid Bike connectors marked as **GEAR SENSOR** in-line with the stock harness.

Feeding voltage section

14. Connect the eyelet from the Rapid Bike wiring to the negative pole of the battery (Fig.12).

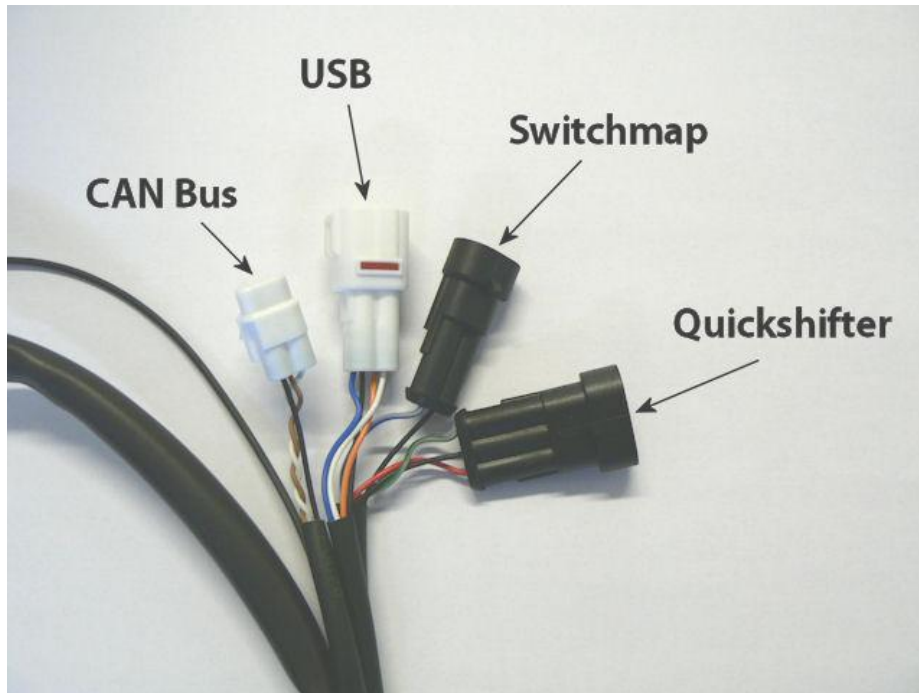
**Fig.12****Final section**

15. Connect the Rapid Bike module to the wiring.
16. Check the correct connection of all connectors.
17. Place the Rapid Bike module in the glove compartment.
18. Place back the fuel tank and the seats.

Accessories section

The Rapid Bike wiring has four other connections for the accessories:

- Connection for the quickshifter sensor (black 3 pin connector)
- Connection for the handlebar switchmap (black 2 pin connector)
- Connection for the CAN Bus interface (white 3 pin connector)
- Connection for the USB interface (white 4 pin connector)



Notes:

.....

.....

.....

.....

.....

.....

.....

.....

.....

.....

.....

.....

.....

.....

.....

.....

.....

.....

.....

.....

.....

.....

.....

.....

.....

.....

Notes:

A series of horizontal dotted lines provided for taking notes.

Dimsport Srl

*Zona Industriale Madonnina - Loc. San Iorio
15020 SERRALUNGA DI CREA (AL) - ITALY
T (+39) 0142.9552 F (+39) 0142.940094
www.dimsport.it*

RapidBike

ASSISTENZA TECNICA – TECHNICAL SUPPORT

Tel. (+39) 0142.9552

E-mail: support.rapidbike@dimsport.it

UFFICIO COMMERCIALE – COMMERCIAL DEPT.

Tel. (+39) 0142.9552

E-mail: info.rapidbike@dimsport.it



a company of
una azienda del gruppo



www.rapidbike.it
