

HYPHERPRO

STEERING DAMPER MOUNTING KIT

for

DUCATI 749 (S) & 999 (S, R)

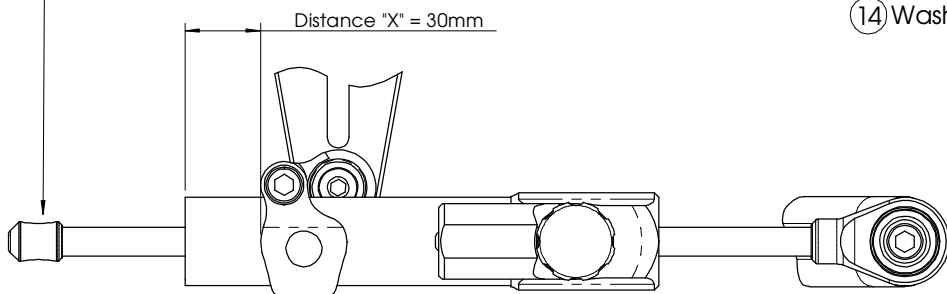
Model 2002 ->

MK-DU07-T002 PART LIST

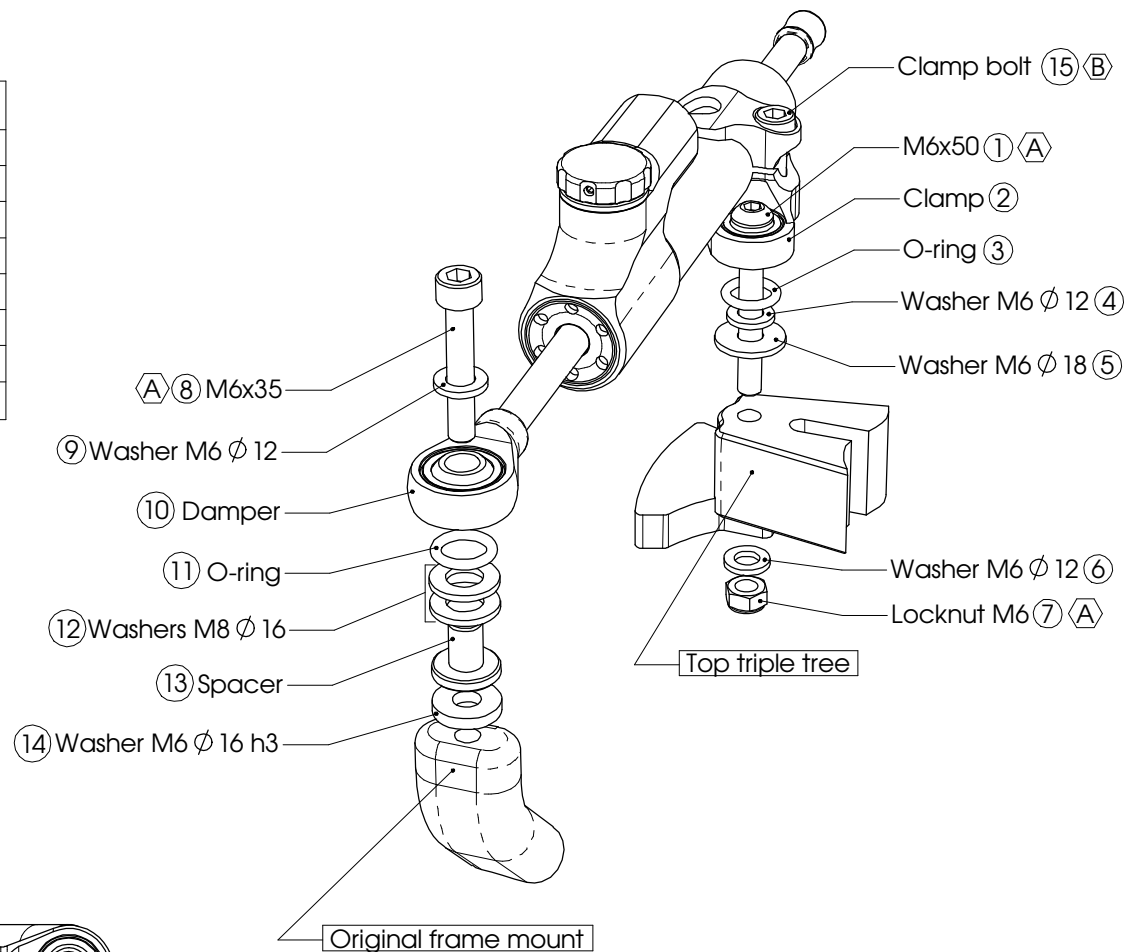
SD stroke 75	1	Washer M6 ϕ 12	3
Tube Clamp TYPE 9	1	Washer M6 ϕ 17 h3	1
O-Ring	2	Washer M6 ϕ 18	1
Spacer M6 to M8	1	Washer M8 ϕ 16	2
M6x35	1	-	-
M6x50 Button head	1	-	-
Locknut M6	1	-	-
-	-	-	-

ALL IDEAS, DESIGNS ARRANGEMENTS AND PLANS INDICATED OR REPRESENTED BY THIS DRAWING ARE OWNED BY HYPERPRO AND WERE CREATED, EVOLVED AND DEVELOPED FOR USE ON AND IN CONNECTION WITH THE SPECIFIC PROJECT. NONE SUCH IDEAS, DESIGNS, ARRANGEMENTS OR PLANS SHALL BE USED BY OR DISCLOSED TO ANY PERSON, FIRM OR CORPORATION FOR ANY PURPOSE WHATSOEVER WITHOUT THE WRITTEN PERMISSION OF HYPERPRO.

DAMPING ADJUSTER KNOB:
 - turn CW to increase damping
 - turn CCW to decrease damping
NEVER USE MAXIMUM SETTING !!!



Only fits when steering head is in original angle (24.5°)



1
of 2

A) 5-9Nm / 44-80Lbs.In / 4.0-6.4Lbs.Ft
 B) 6Nm / 53Lbs.In / 4.4Lbs.Ft

See WWW.HYPERPRO.COM for the latest pictures, modifications, specs. and e-drawings of this steering damper kit.

HYPERPRO

STEERING DAMPER MOUNTING KIT

for

DUCATI 749 (S) & 999 (S, R) Models 2002 ->

MK-DU07-T002 INSTALLATION INSTRUCTIONS

In general:

HYPERPRO can not be held responsible in any way for any form of physical, material, financial or other damage arising from use, assembly or overhaul of HYPERPRO products. HYPERPRO reserves the right to make changes without prior notice.

This product is ONLY TO BE INSTALLED BY A PROFESSIONAL MECHANIC.

This product is only to be used for the motorcycle brand, model and year stated specifically on top of the pages of this manual.

DO NOT attempt to install this product on motorcycles from any different brand, model and/or year than stated on the pages of this manual.

DO NOT use this kit for cars, boats, jet-skies, snowmobiles, ATV's, aircraft, hovercrafts or any other vehical and/or purpose.

HYPERPRO steering dampers are FOR RACE USE ONLY, NOT FOR HIGHWAY USE!

Before installation:

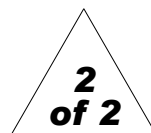
- Please read the entire manual carefully before starting the installation!
- Check if you have all the tools required. Good tools are a must.
- Protect your bike at the most important places in and around the work area (e.g. tank, fairing, frame, etc.) with a blanket, towel or similar.

During installation:

- Check all operations and parts carefully before, during and after performing each step.
- Clean all surfaces that are required for fitting parts together or for applying self adhesives or loctite, thoroughly with contactcleaner or another degreaser, unless otherwise stated.
- Be careful not to damage or scratch any part of your bike.
- ALWAYS work relaxed and concentrated!! It is very easy to damage something or make a mistake.

After installation:

- Check and make sure that there is no contact between any part of the steering damper kit and any part of the motorcycle. The kit should not hit anything. Steering movement should not be limited by the steering damper. If the steering movement is limited, adjust the position of the tube in the clamp until steering movement is normal again. Do not forget to tighten the clamp bolt again!
- ALWAYS check the steering movement and feeling before each ride !
- FIRST RIDES: Start with the damper turned fully open (turn adjuster knob fully counter clockwise). Start adjusting in between rides with steps of MAX. 2 CLICKS (0.25 TURN) EACH TIME, until the damper is working satisfactory for your riding style.
- NEVER USE MAXIMUM SETTING, ALWAYS OPEN AT LEAST 2 CLICKS (0.25 TURN).
- WARNING ! DAMPER HAS AN ACTIVE / SPEEDSENSITIVE DAMPING SYSTEM;
 - Steering with NORMAL MOVEMENT should be FREE !!
 - Steering with FAST MOVEMENT should be CONTROLLED BY DAMPER !!
- HYPERPRO uses a special seal to reduce friction. The seal uses an oil film to work properly. It is normal that some oil can appear on the pistonrod.
- Damper works with oil: DAMPING CAN BE HARDER AT LOWER TEMPERATURES!



Step 1: REMOVE THE ORIGINAL STEERING-DAMPER

Step 2: Installing the tube clamp

- Bolt M6x50 button (1)
- Tube Clamp Type 9 (2)
- 1x O-Ring (3)
- 2x Washer M6 Ø 12 (4 & 6)
- Washer M6 Ø 18 (5)
- Lock nut M6 (7)

Put the assembly together as shown on page 1: Take the tube clamp (2), use the bolt (1), O-ring (3) and the washers (4 & 5) to fit it to the M6 hole in the top triple tree. Tighten the bolt with a torque of approx. 5-9Nm/44-80Lbs.In/4.0-6.4Lbs.Ft.

Screw the lock nut M6 (7) on the bottom side (sticking out). Tighten the nut with a torque of approx. 5-9Nm/44-80Lbs.In/4.0-6.4Lbs.Ft

Step 3: installing the steering damper

- Steering damper (10)
- Bolt M6x35 button head (8)
- Washer M6 Ø 12 (9)
- 1x O-ring (11)
- Washer(s) M8 Ø 16 (12)
- Spacer M6 to M8 (13)
- Washer M6 Ø 17 h3 (14)

Ensure that the clamp bolt of the Tube clamp is pointing forward. Shove the damper (10), with the end knob-side first, through the clamp until the ball joint can be fitted to the frame mount. As shown on page 1: Use the washers, O-ring (11), spacer (13) and M6 bolt (8) to fixate the balljoint to the frame and tighten with a torque of approx.5-9Nm/44-80Lbs.In/ 4.0-6.4Lbs.Ft. Position the damper tube until the distance "X" (=30mm) stated on page 1 is reached, then tighten the M6 clamp bolt (15) with a torque of approx. 6Nm/53Lbs.In/ 4.4Lbs.Ft.

Check if the damper is level horizontally and aligned to the bike. Check if the damper does not touch anything (e.g. tank) when steering from left to right. Check if the bike can make it's full steering angle from left to right and adjust if necessary.

See WWW.HYPERPRO.COM for the latest pictures, modifications, specs. and e-drawings of this steering damper kit.